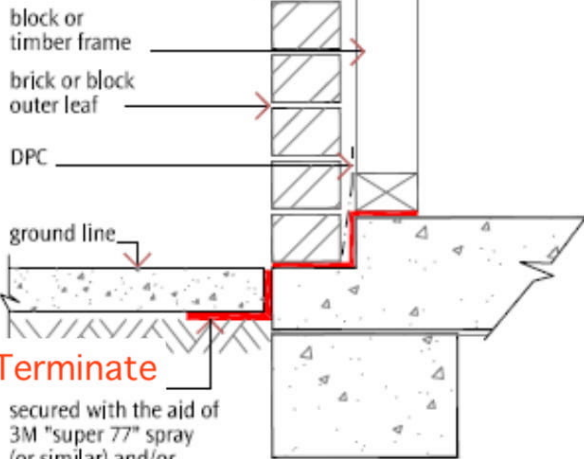




**photo 1**  
installed against slab edge

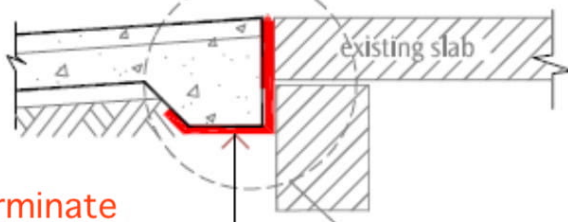


**Terminate**

secured with the aid of 3M "super 77" spray (or similar) and/or a perforated 30mm wide 'hoop iron' or similar metal brace stripping

**section detail 1**

high paving level (photo 2)



**Terminate**

secured with the aid of 3M "super 77" spray (or similar) and/or a perforated 30mm wide 'hoop iron' or similar metal brace stripping

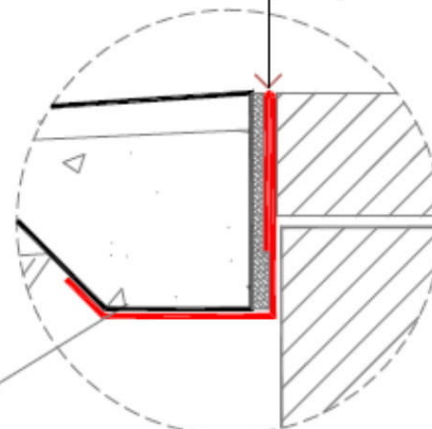


**photo 2** garage entry detail

secured with the aid of 3M "super 77" spray or similar  
**Note:**  
 where various slab conditions prevail i.e. rough or damaged:-  
 It is important to establish a full seal to the perimeter is achieved

**Terminate**

a minimum width of 300mm Kordon TB is to be installed with a foldback of 100mm approx, as shown. where dowelling occurs: installation may vary depending on engineer's instructions. Confirm with Kordon training manager



**section detail 2**

driveway, disabled ramp & entry

**TERMINATE Protego**

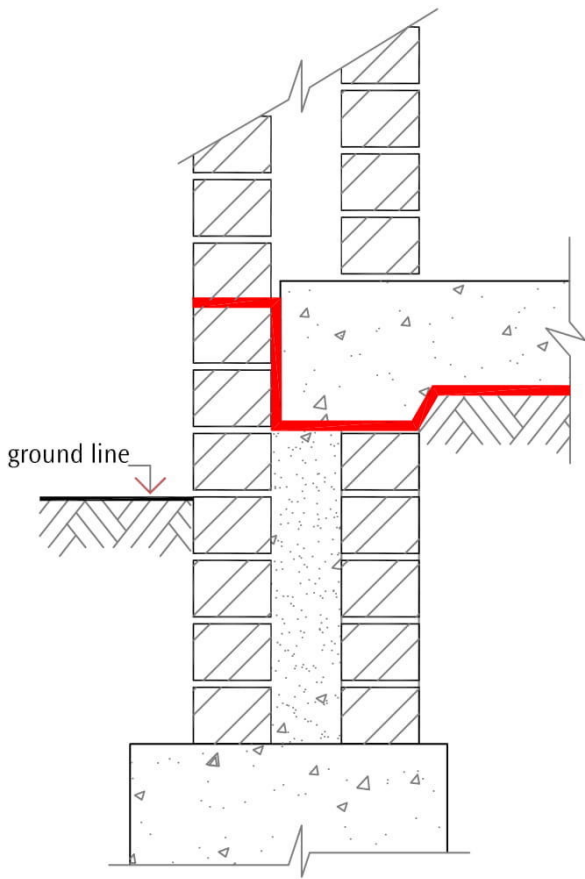
Sheet No.

**01**

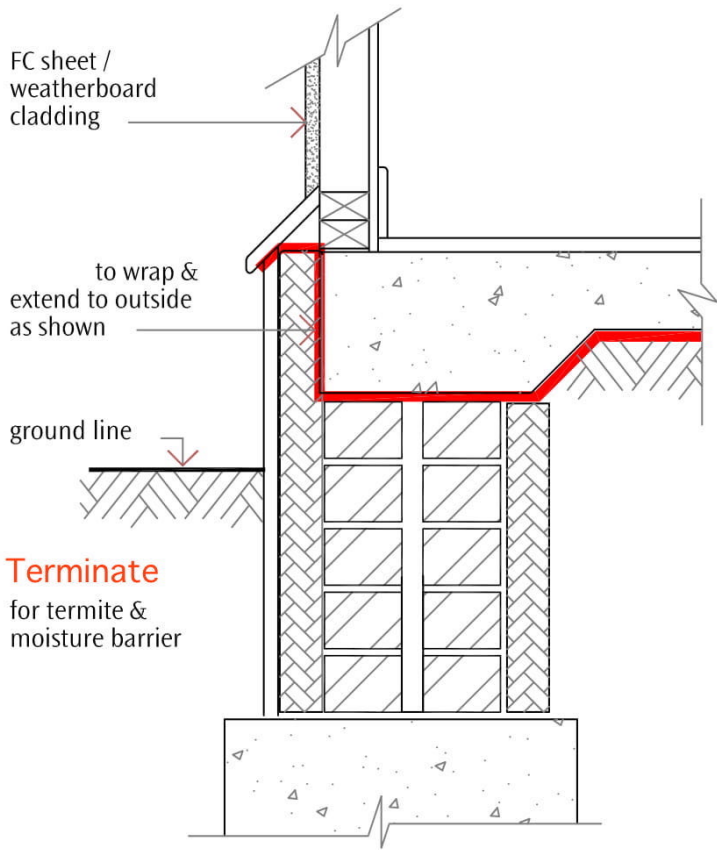
Subject:

**Perimeter Paving/Slab (cold joint)**

Date:

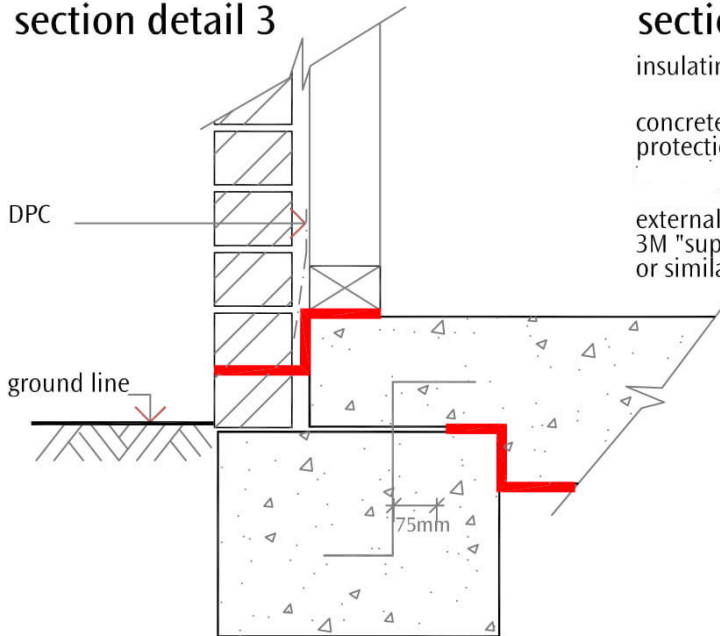


section detail 3



**Terminate**  
for termite & moisture barrier

section detail 4



section detail 5

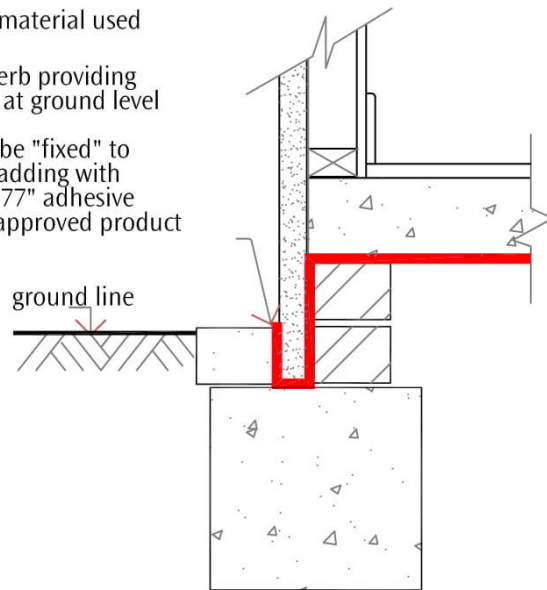
non-monolithic slab

section detail 4

insulating material used

concrete kerb providing protection at ground level

to be "fixed" to external cladding with 3M "super 77" adhesive or similar approved product



section detail 6

insulation type cladding

# TERMINATE Protego

Subject

full under slab

Sheet No.

02

Photo 1



Photo 2  
waffle pods



Photo 3  
deep trenching



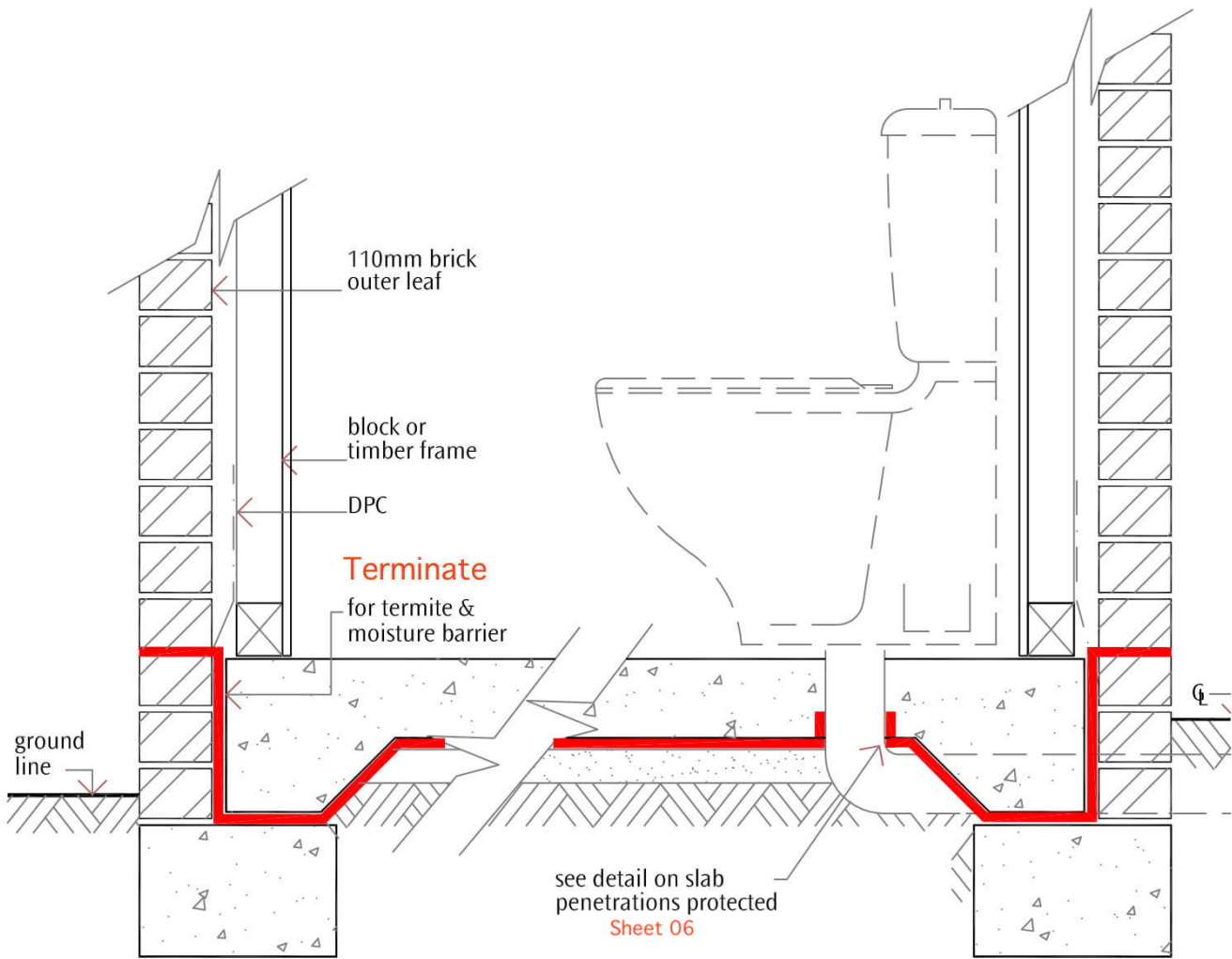
# TERMINATE Protego

Subject

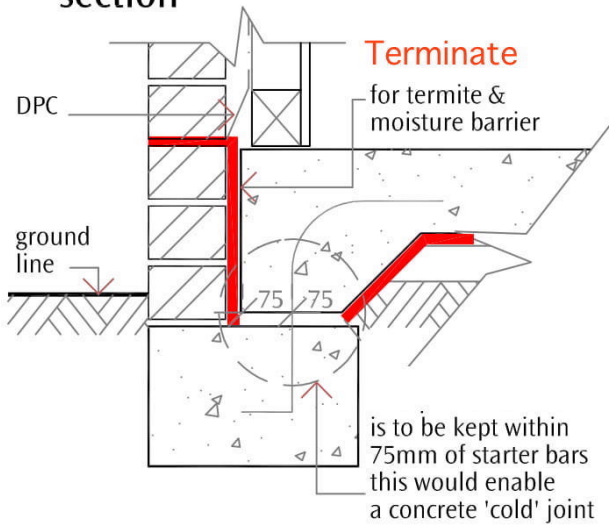
full under slab

Sheet No.

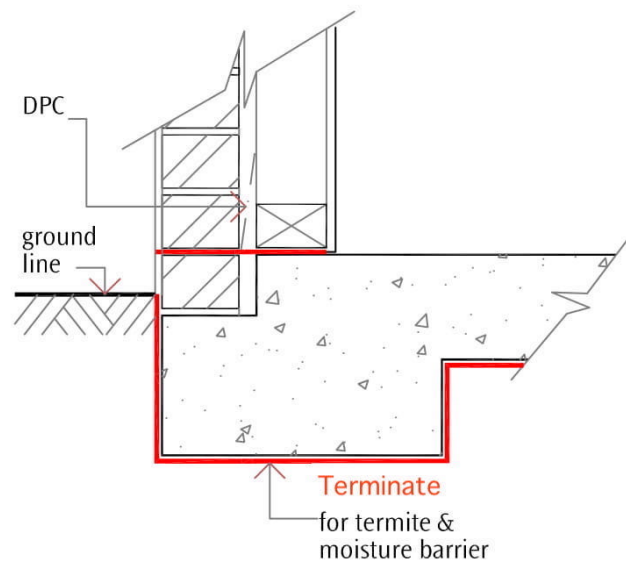
02A



section



section detail 1



section detail 2

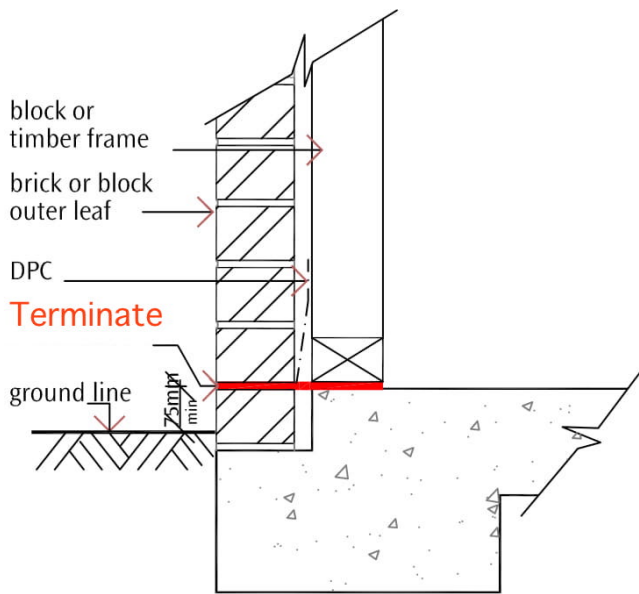
# TERMINATE Protego

Subject

full under slab

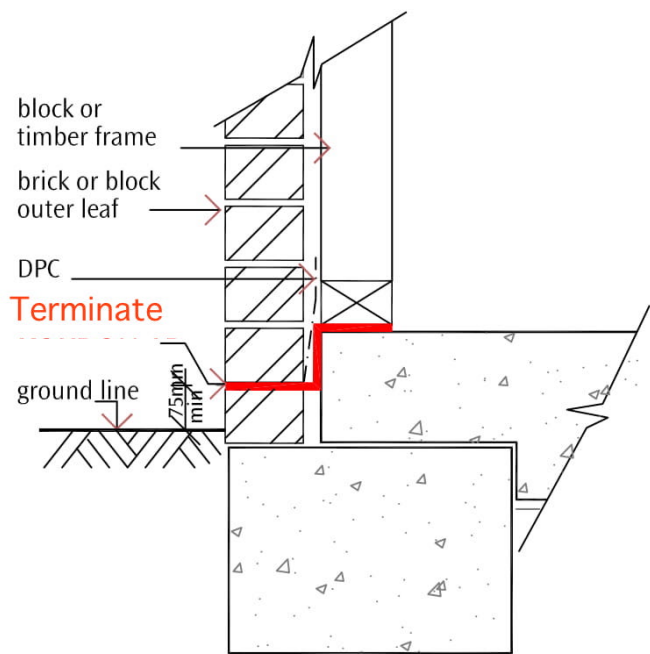
Sheet No.

02B



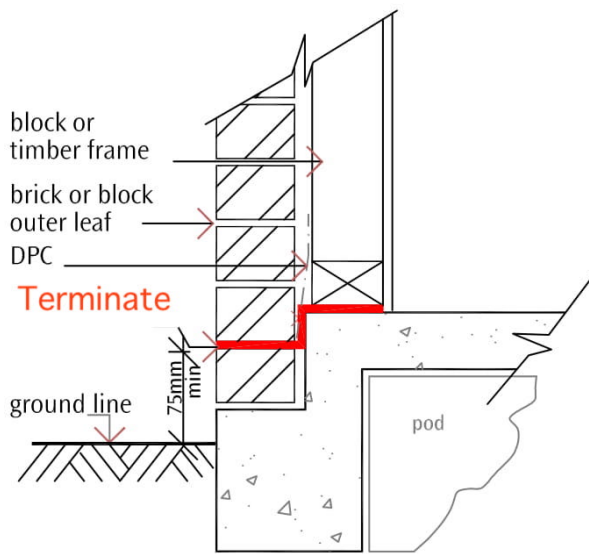
**section detail 1**

1 brick rebate



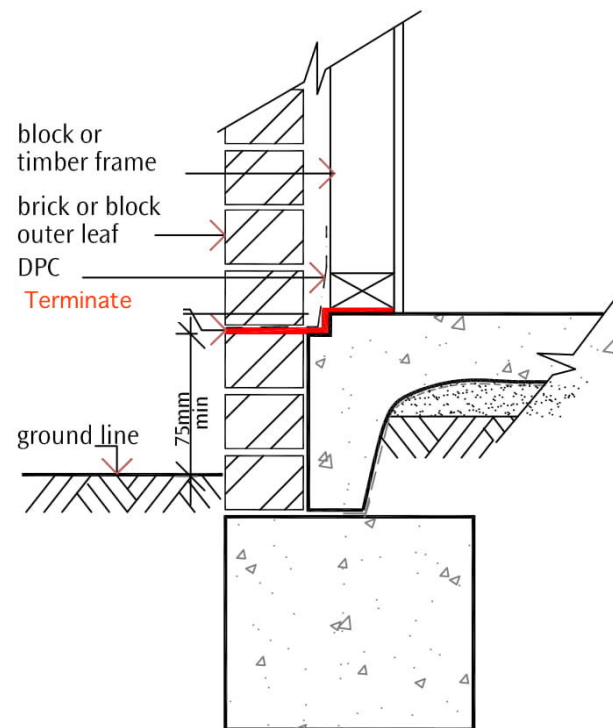
**section detail 2**

2 brick rebate



**section detail 3**

waffle pod



**section detail 4**

infill slab

# TERMINATE Protego

Subject

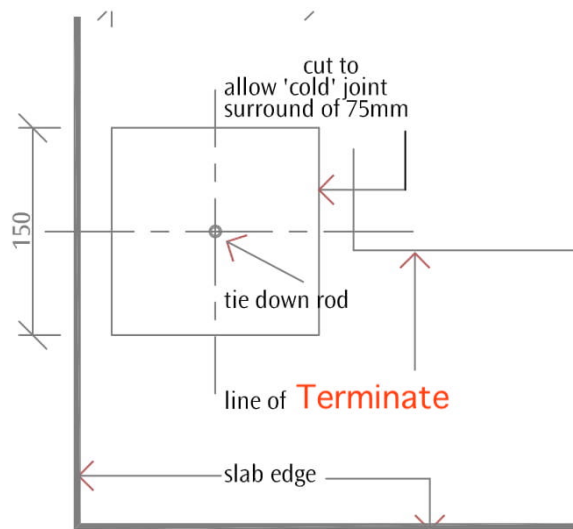
slab perimeter

Sheet No.

03

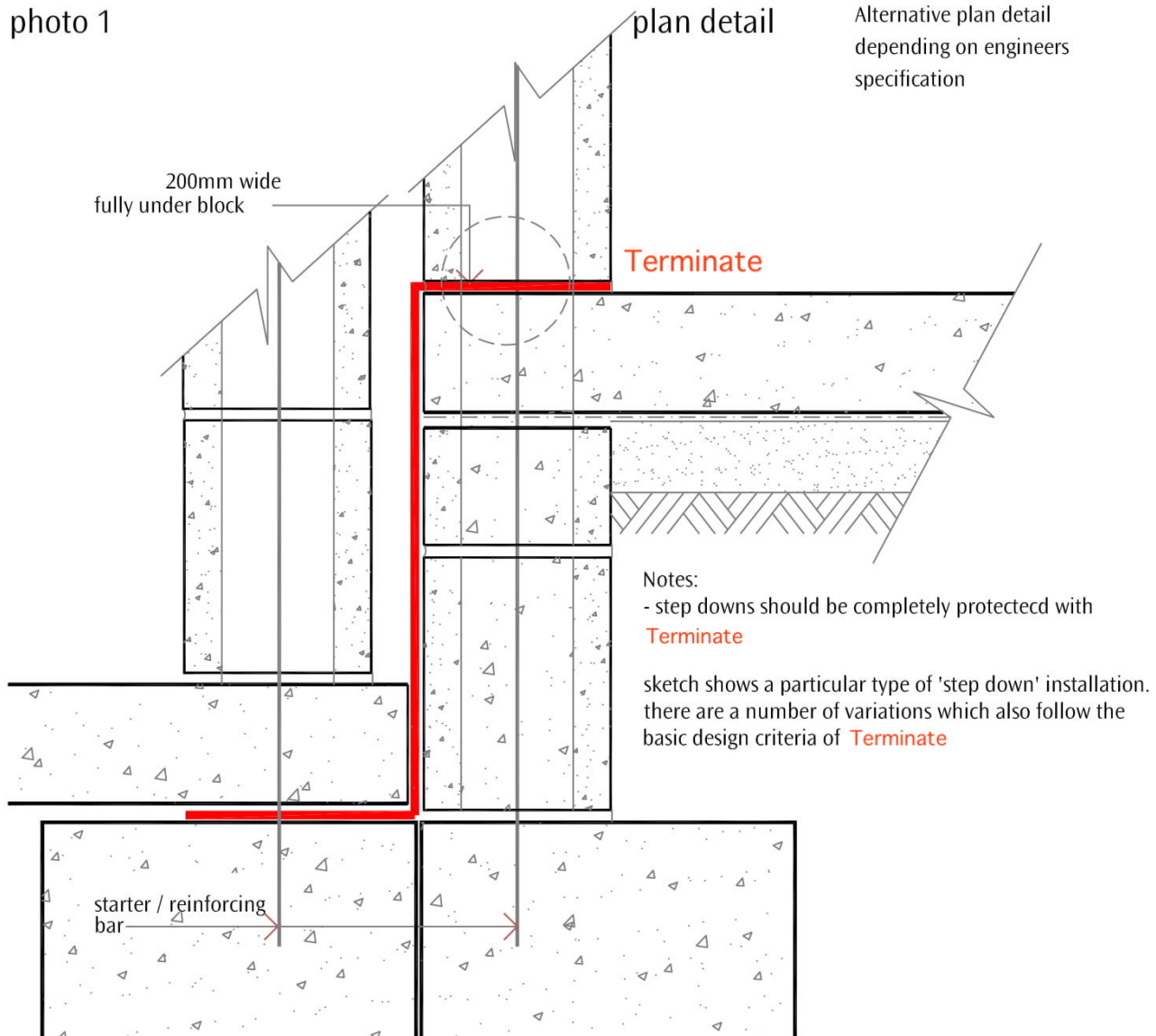


photo 1



plan detail

Alternative plan detail depending on engineers specification



Notes:

- step downs should be completely protected with **Terminate**

sketch shows a particular type of 'step down' installation. there are a number of variations which also follow the basic design criteria of **Terminate**

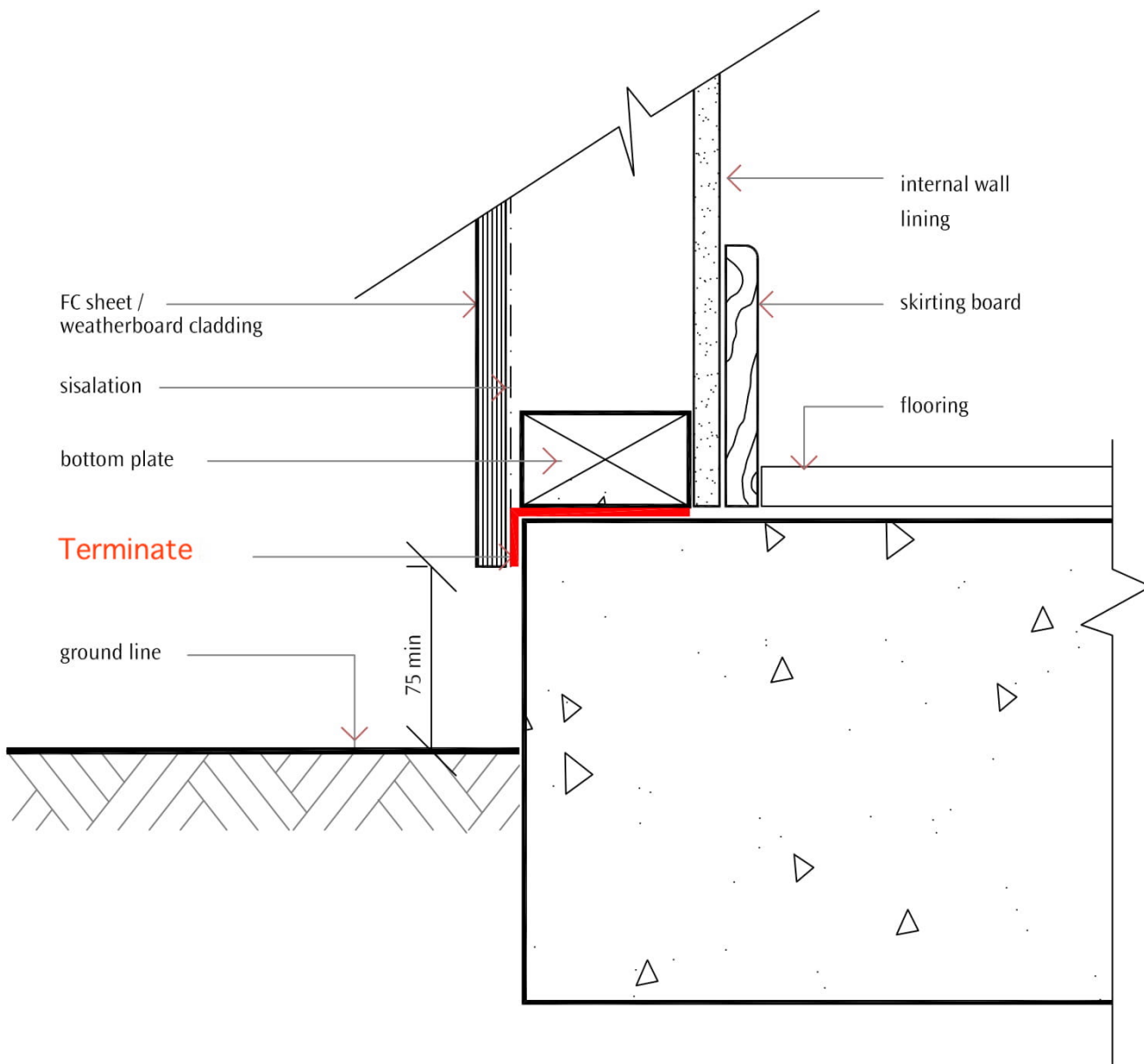
# TERMINATE Protego

Subject

2 slab levels

Sheet No.

03A



# TERMINATE Protego

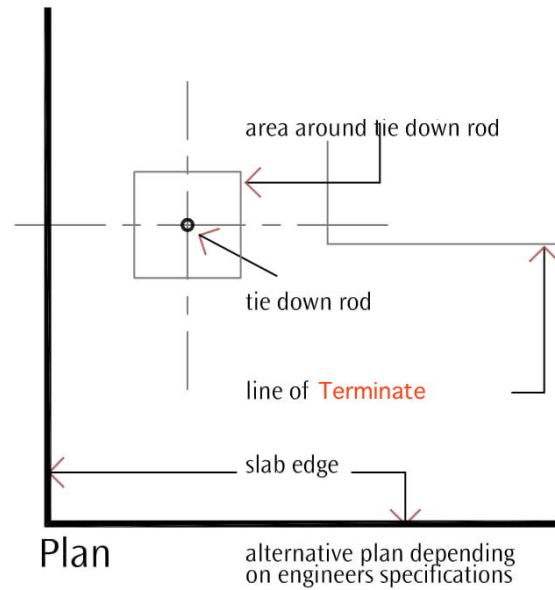
Subject

slab edge detail

Sheet No.

**03B**

**Terminate**  
covering where concrete slab joins block



knock-out block  
ground line

starter / reinforcing bar  
concrete strip footing

Section

**Note:**  
where rendering occurs a 'vee joint' is recommended render may vary according to geographic locations eg reactive soil sites

Detail section  
where recessed pointing

vee joint  
**Terminate**

render  
Detail section  
where wall is rendered

# TERMINATE Protego

Subject

block work

Sheet No.

04

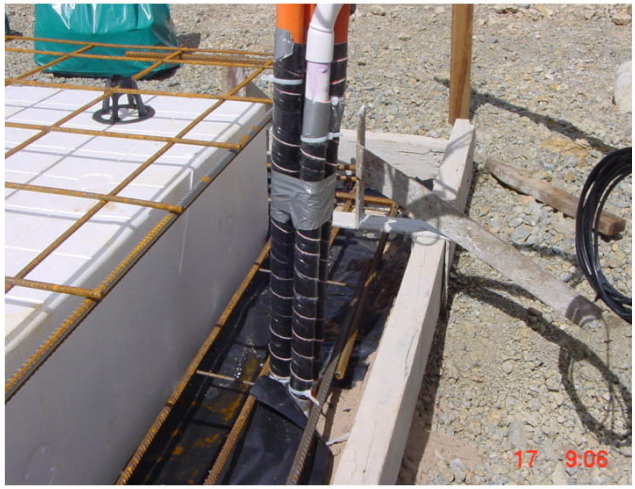
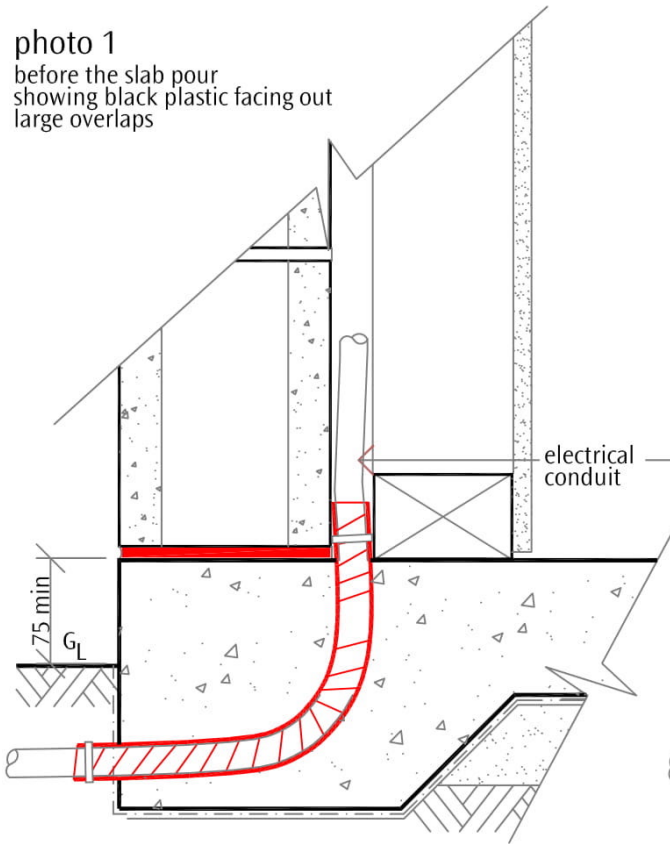
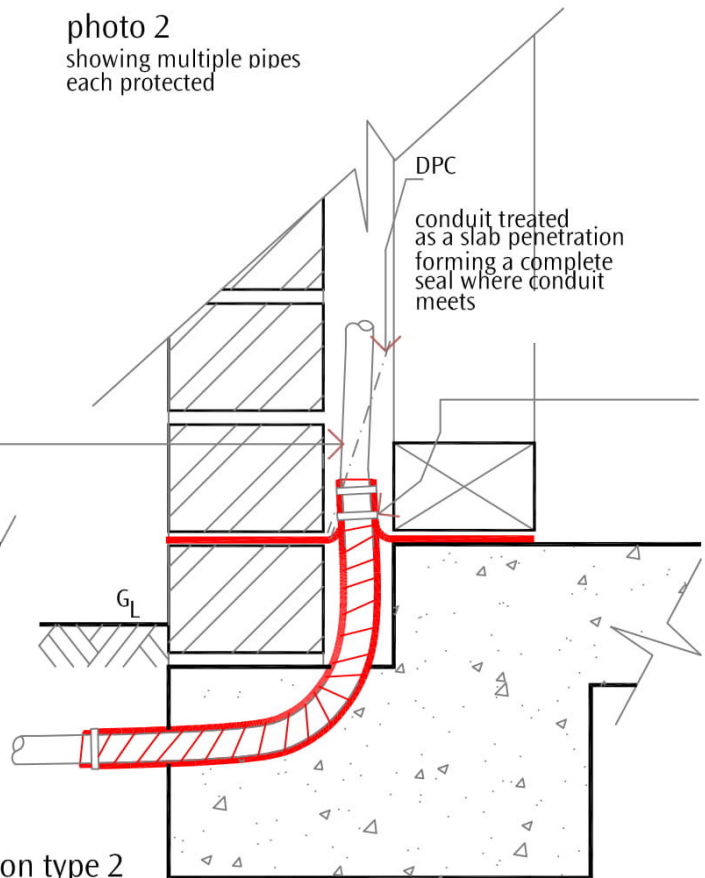


photo 1  
before the slab pour  
showing black plastic facing out  
large overlaps

photo 2  
showing multiple pipes  
each protected



section type 1



section type 2

Notes:

- wrap **Terminate** around (with overlap) electrical conduits penetrating the slab at length of 300mm approx.
- **Terminate** should be visible after the pour on any conduit /water pipe.
- a cable tie is to be secured at the start and at the finish of the wrap
- where possible place a 300x300 **Terminate** patch at the base of the slab penetration.
- where a cluster of conduits are installed - each conduit must be wrapped separately as above.

# TERMINATE Protego

Subject

conduits

Sheet No.

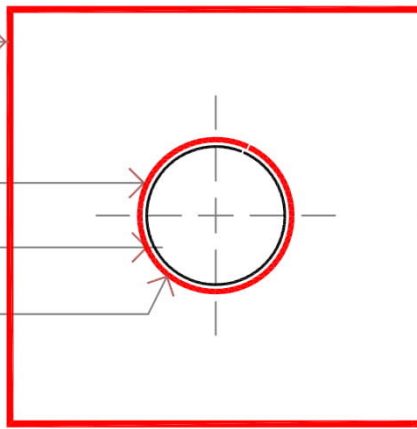
05

Terminate →

place first zip tie  
base of collar and tighten  
overlap each side

100mm dia pipe

place second zip tie  
50mm approx higher than  
first zip tie



plan

pipe centre line

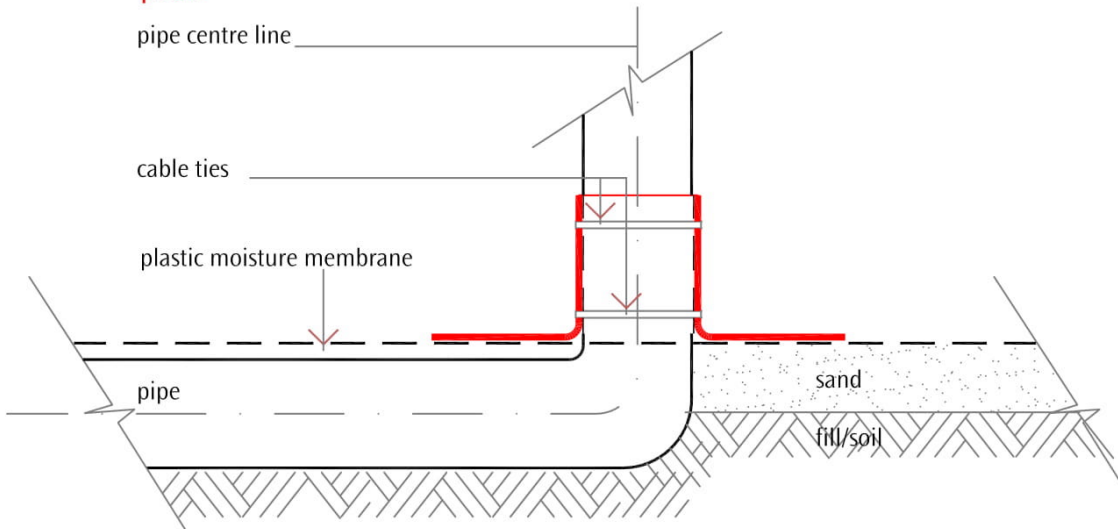
cable ties

plastic moisture membrane

pipe

sand

fill/soil



section before concrete pour

cable ties

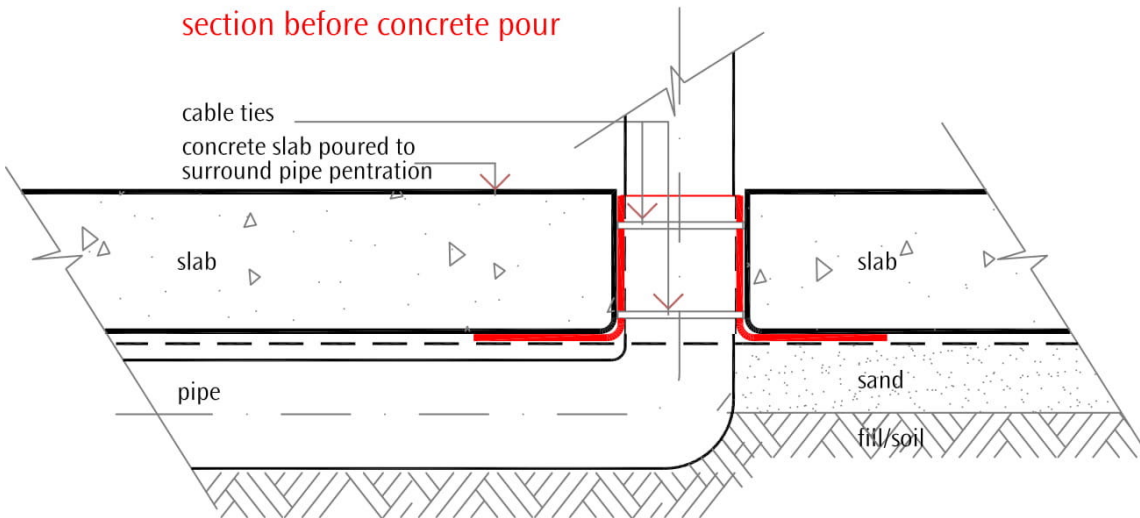
concrete slab poured to  
surround pipe penetration

slab

pipe

sand

fill/soil



section after concrete pour

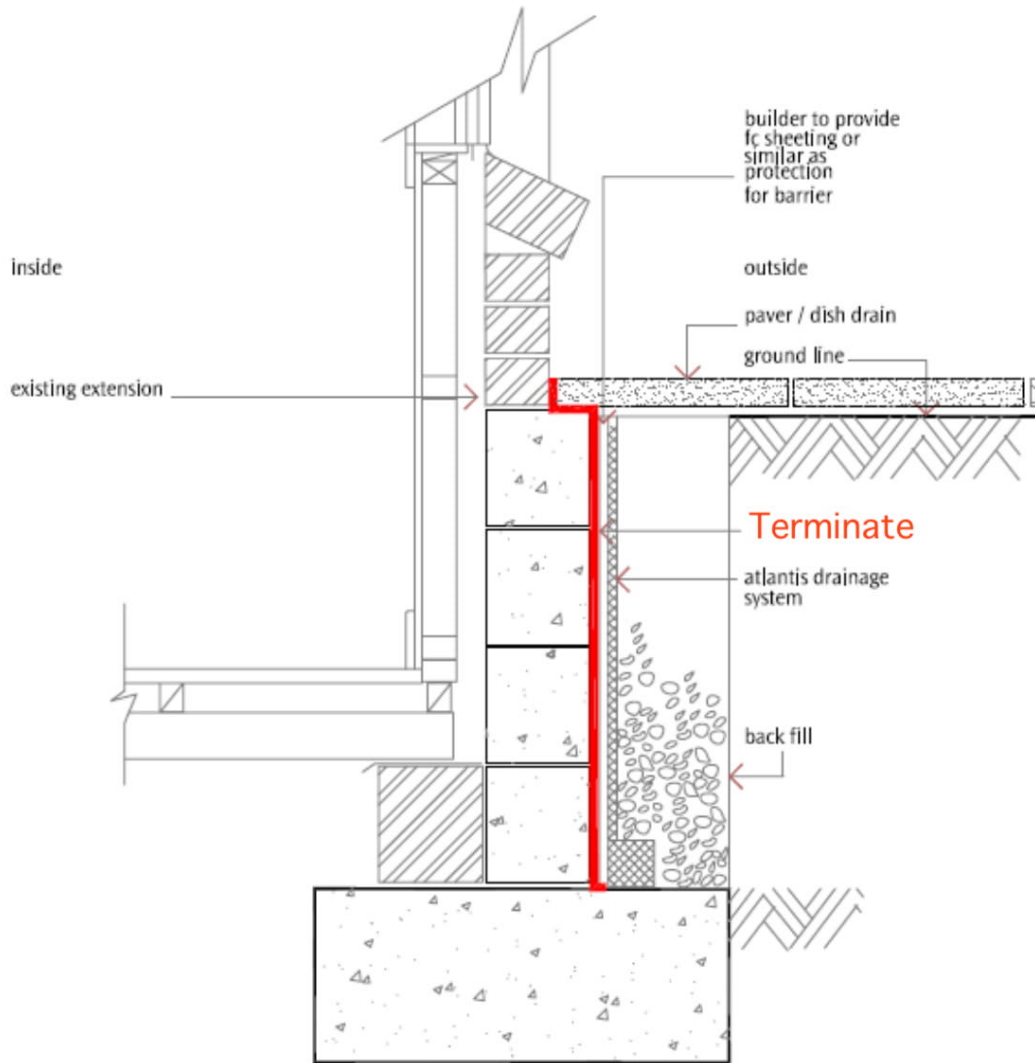
## TERMINATE Protego

Subject

slab pipe penetration

Sheet No.

06



Note:  
the sketch above shows a renovation  
to an existing building

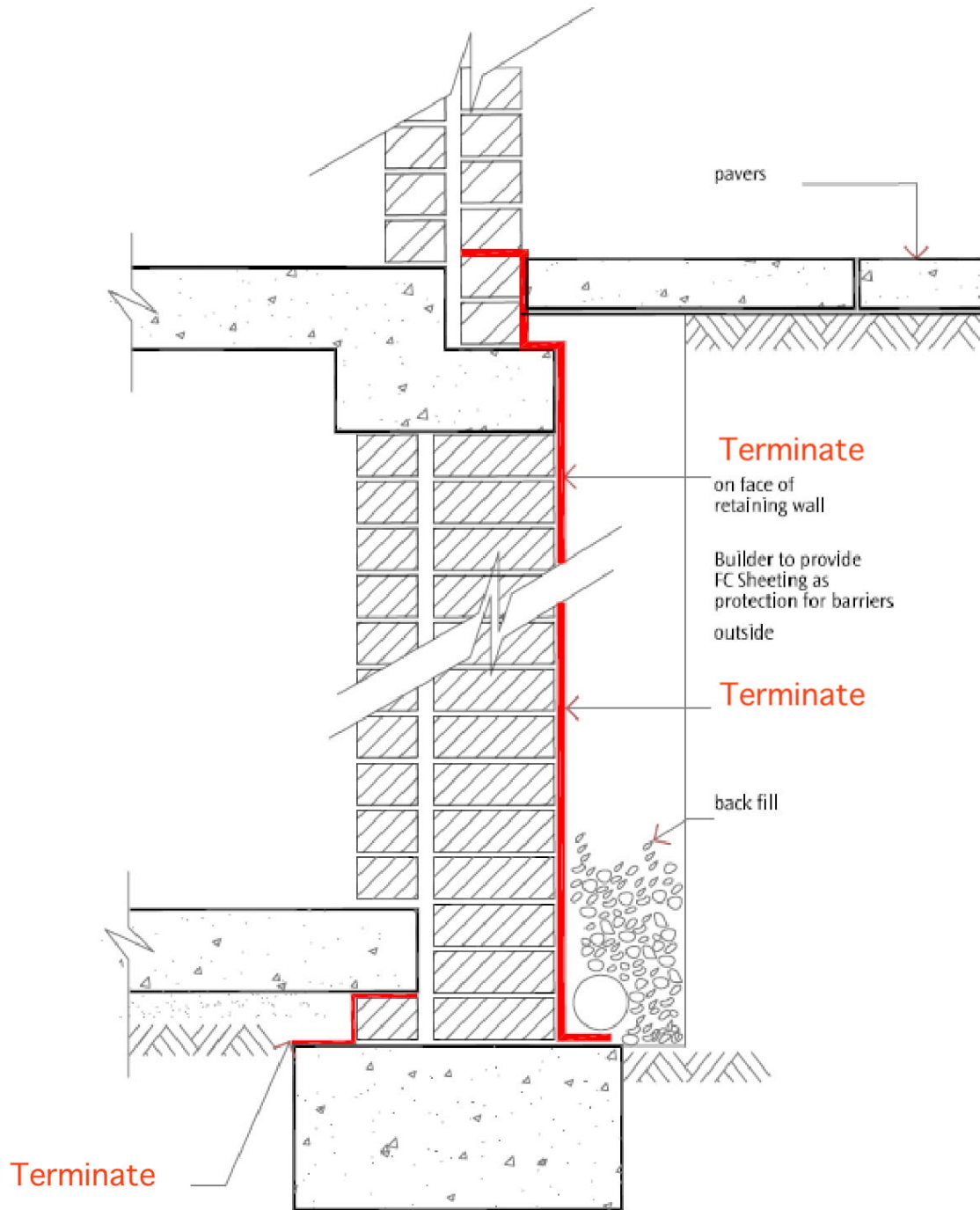
it is strongly recommended that the existing  
building has a termite inspection before  
any new works.

# TERMINATE Protego

Sheet No.

07

Subject:  
**Retaining Wall detail 1**



---

# TERMINATE Protego

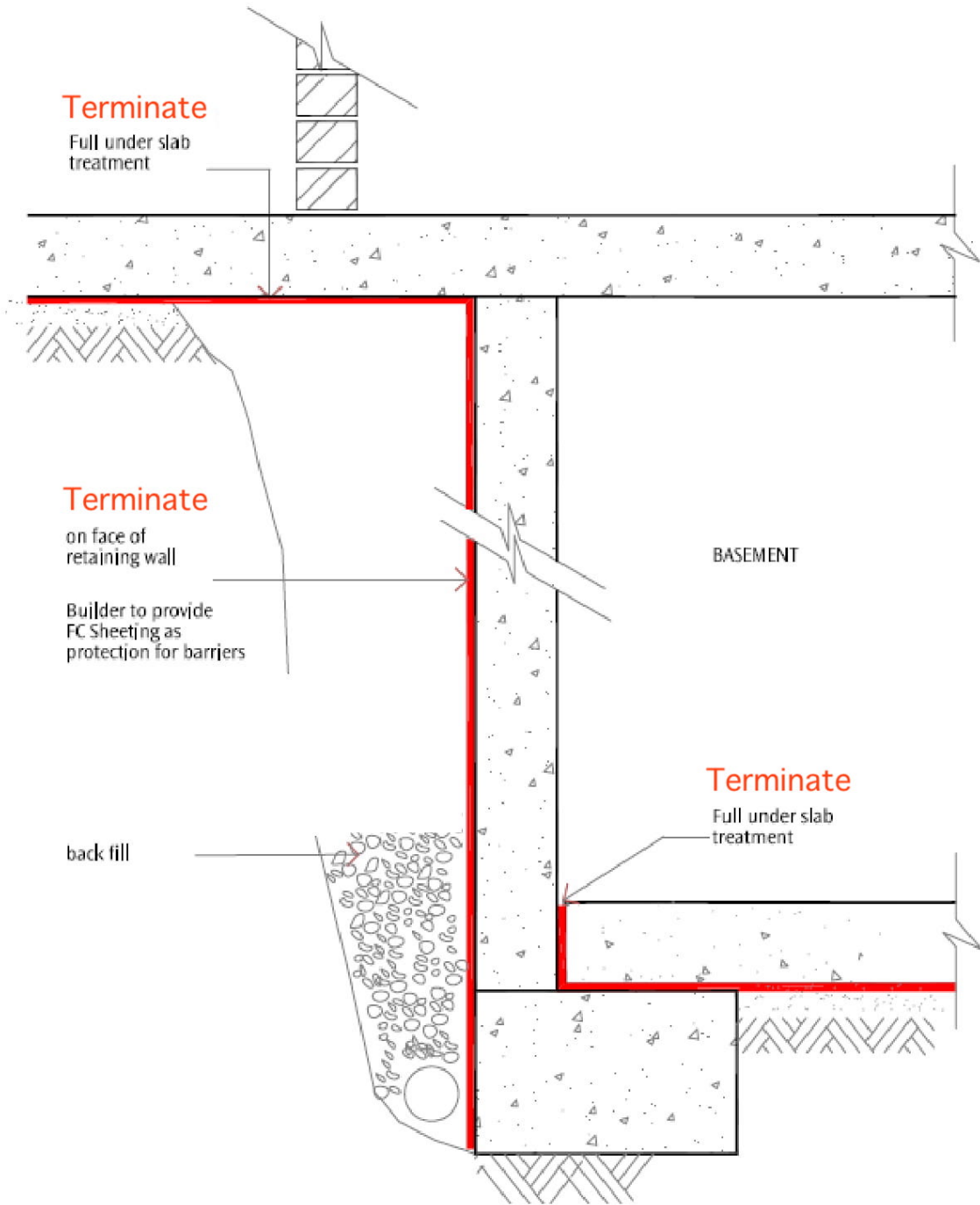
Sheet No.

**07A**

Subject:

**Retaining Wall – detail 2**

---




---

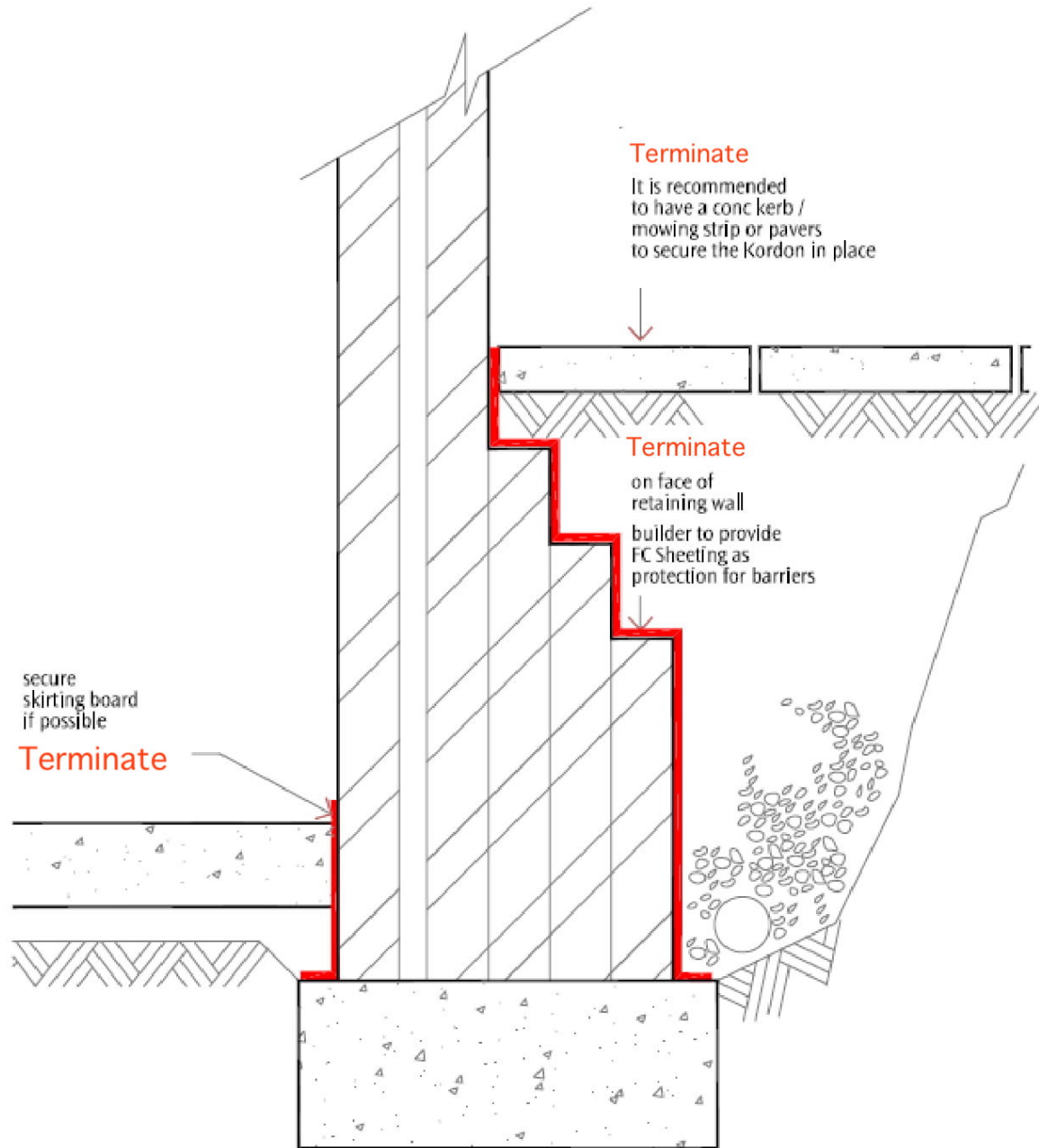
# TERMINATE Protego

07B

Subject:  
**Retaining Wall - detail 4**

---






---

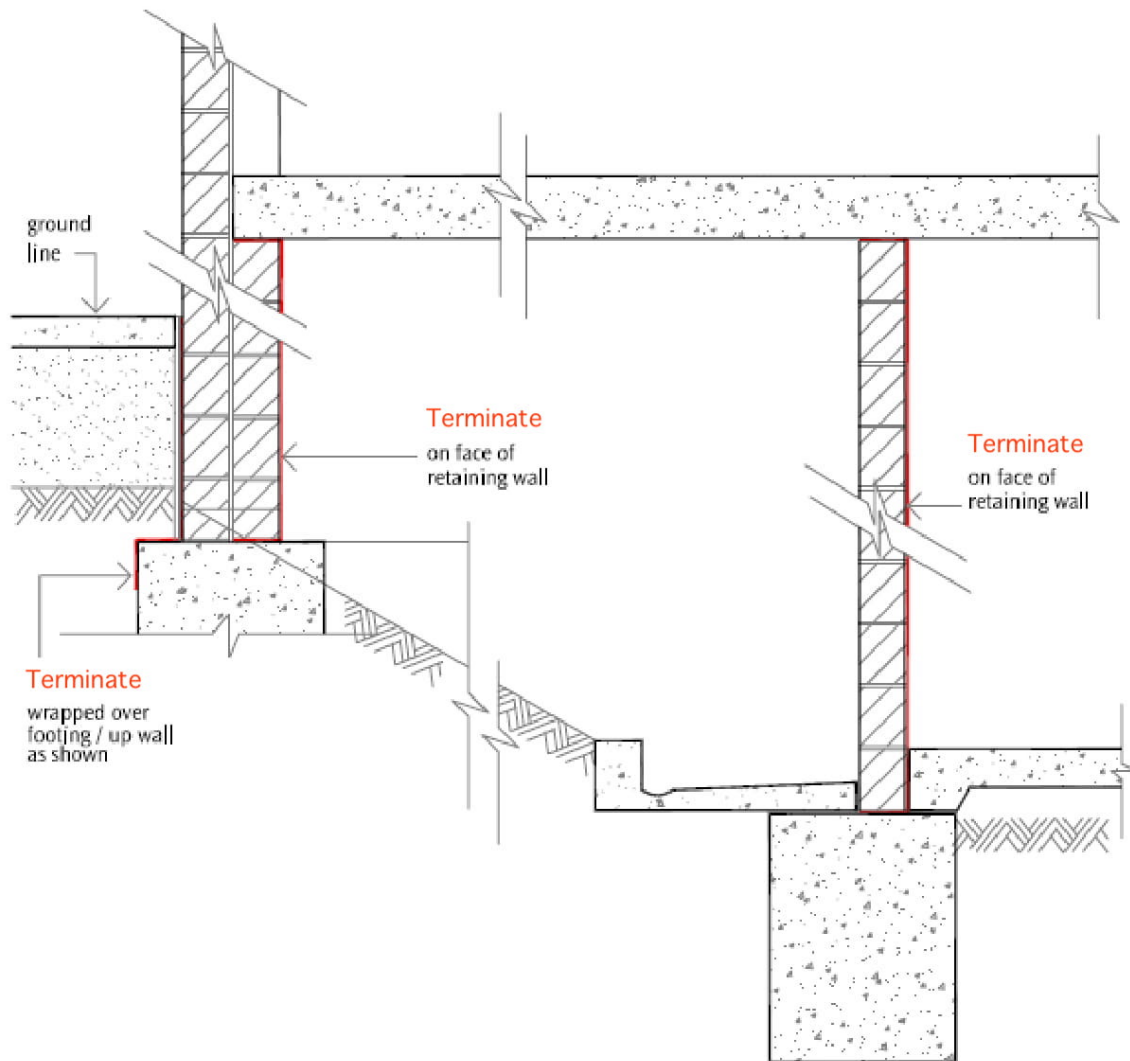
# TERMINATE Protego

Sheet No.

**07D**

Subject:  
**Retaining Wall - detail 6**

---



Note:  
in the above installation,  
would be installed using additional installation  
tools of adhesive spray and Hoop iron bracing.

---

# TERMINATE Protego

Sheet No.

**07E**

Subject:

**Retaining Wall - detail 7**

---



Photo 1  
full retaining wall



Photo 2  
retaining/stepdown



Photo 3  
internal wall treated

---

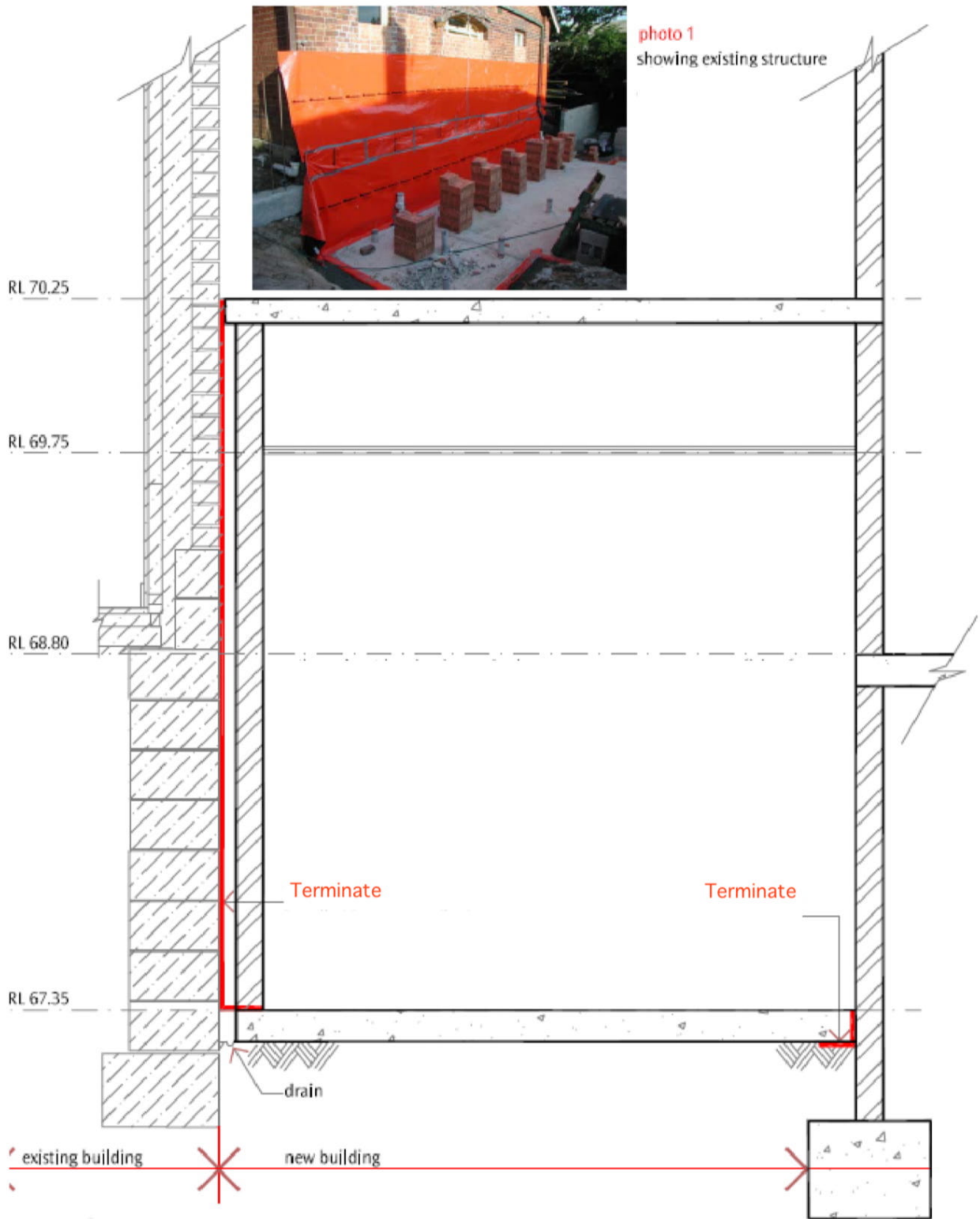
**TERMINATE Protego**

Sheet No.

**07A**

Subject:  
**Retaining Wall photos**

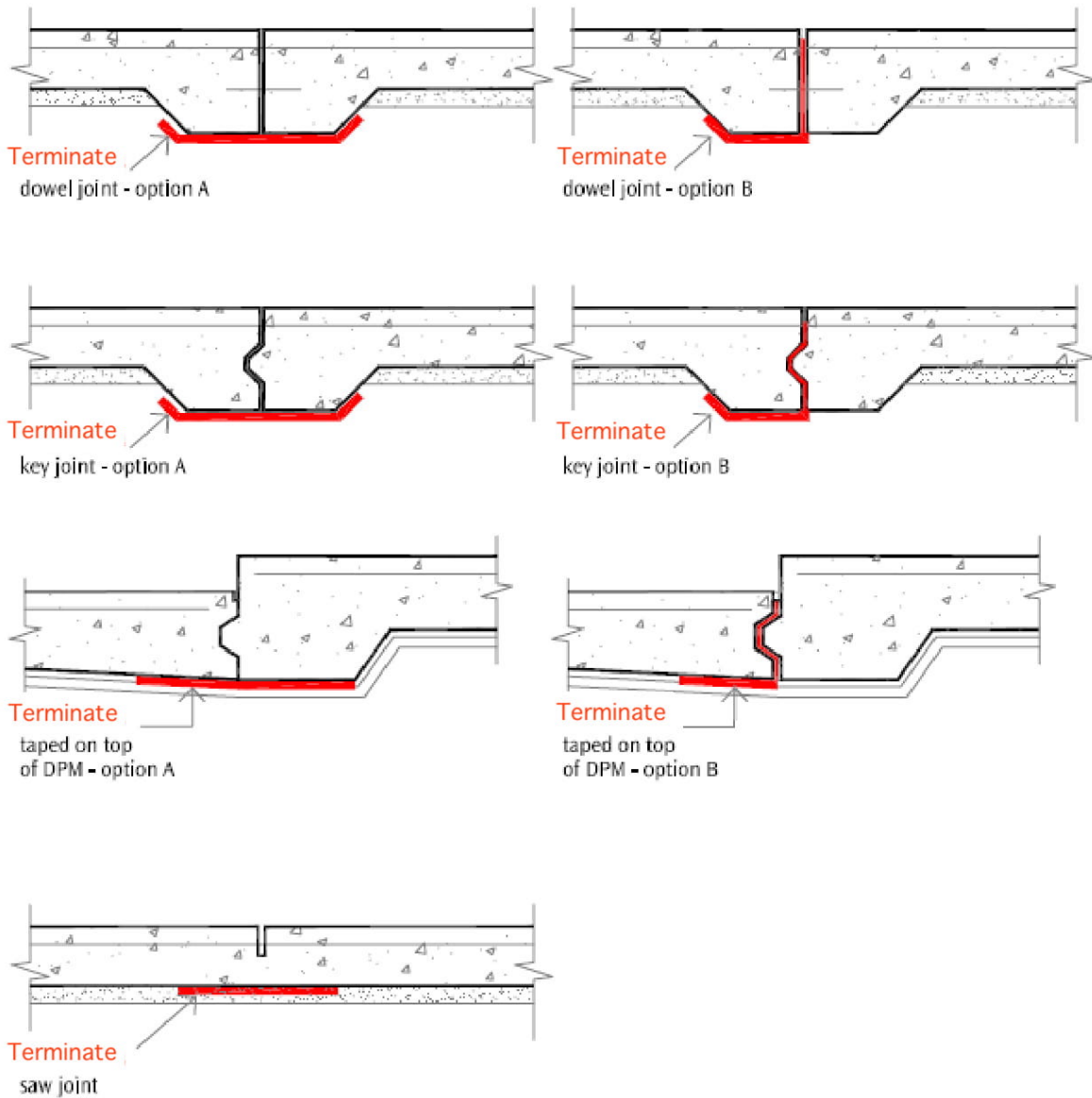
---



# TERMINATE Protego

Sheet No.  
**08**

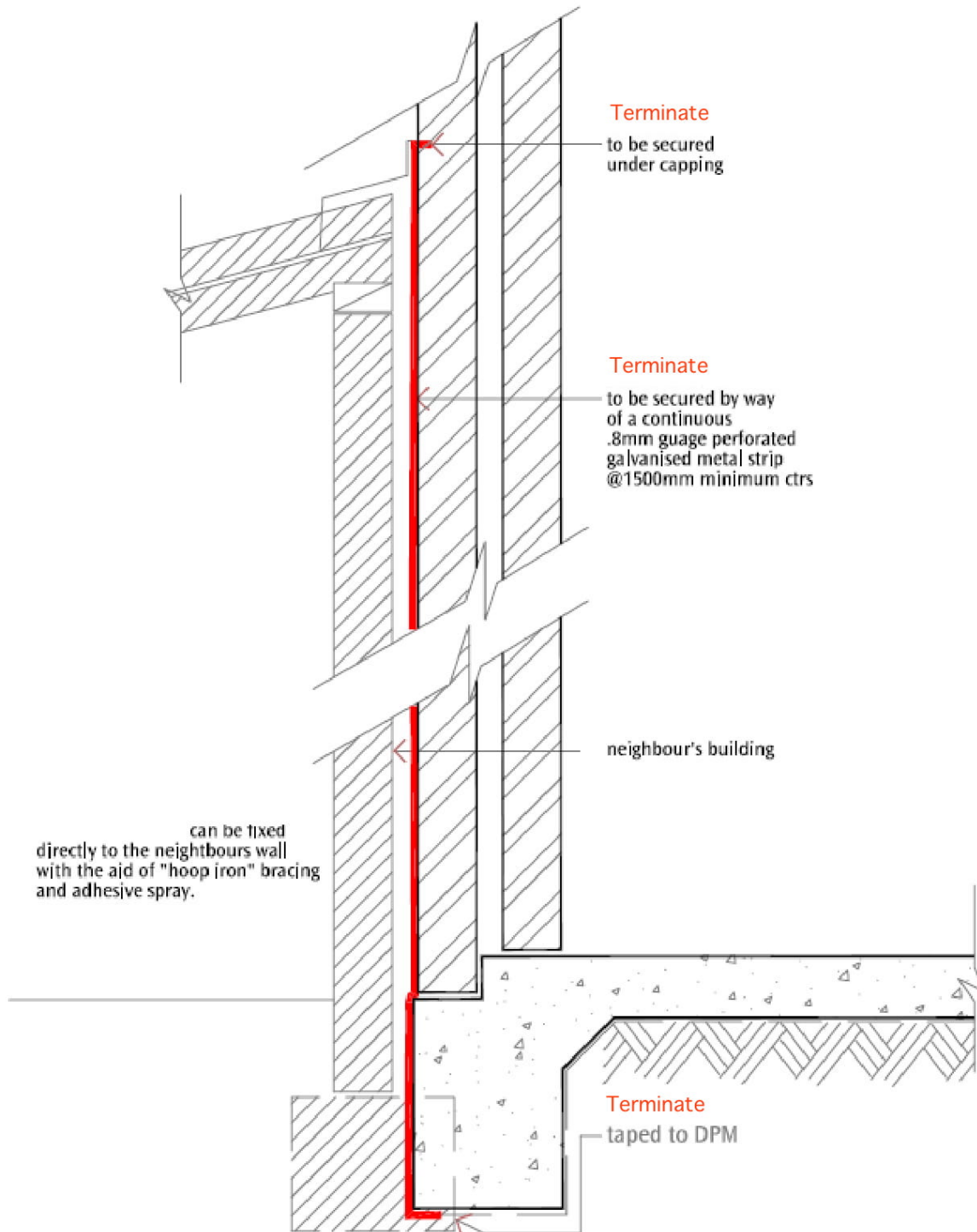
Subject:  
**New extension to existing wall**



# TERMINATE Protego

Sheet No.  
**09**

Subject:  
**Commercial detail**



# TERMINATE Protego

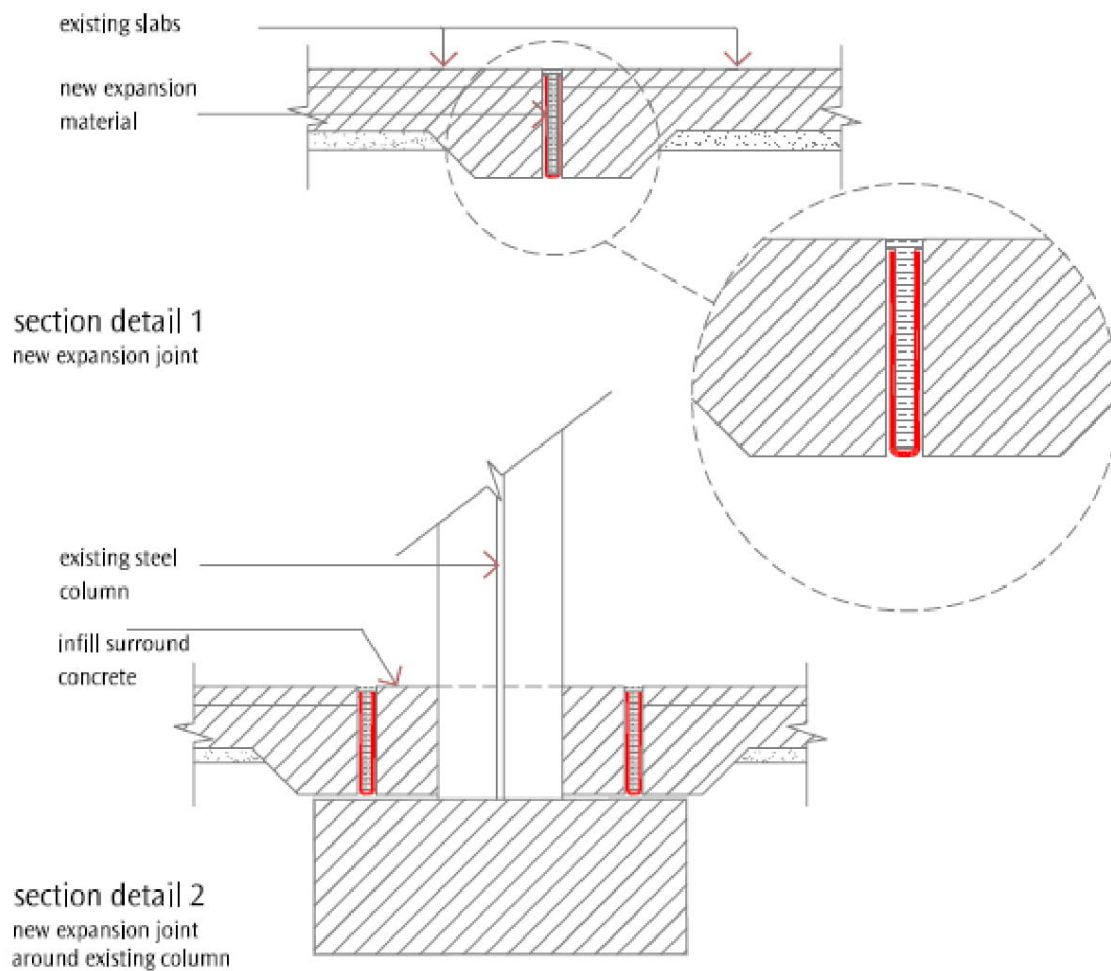
Sheet No.

10

Subject:

**Boundary Wall**

sketch below shows a existing slab floor to a factory  
the expansion material has deteriorated over time and in need of  
replacing.  
It was suggested that in replacing the expansion material  
could be installed to assist the pervention of concealed termite entry



---

**TERMINATE Protego**

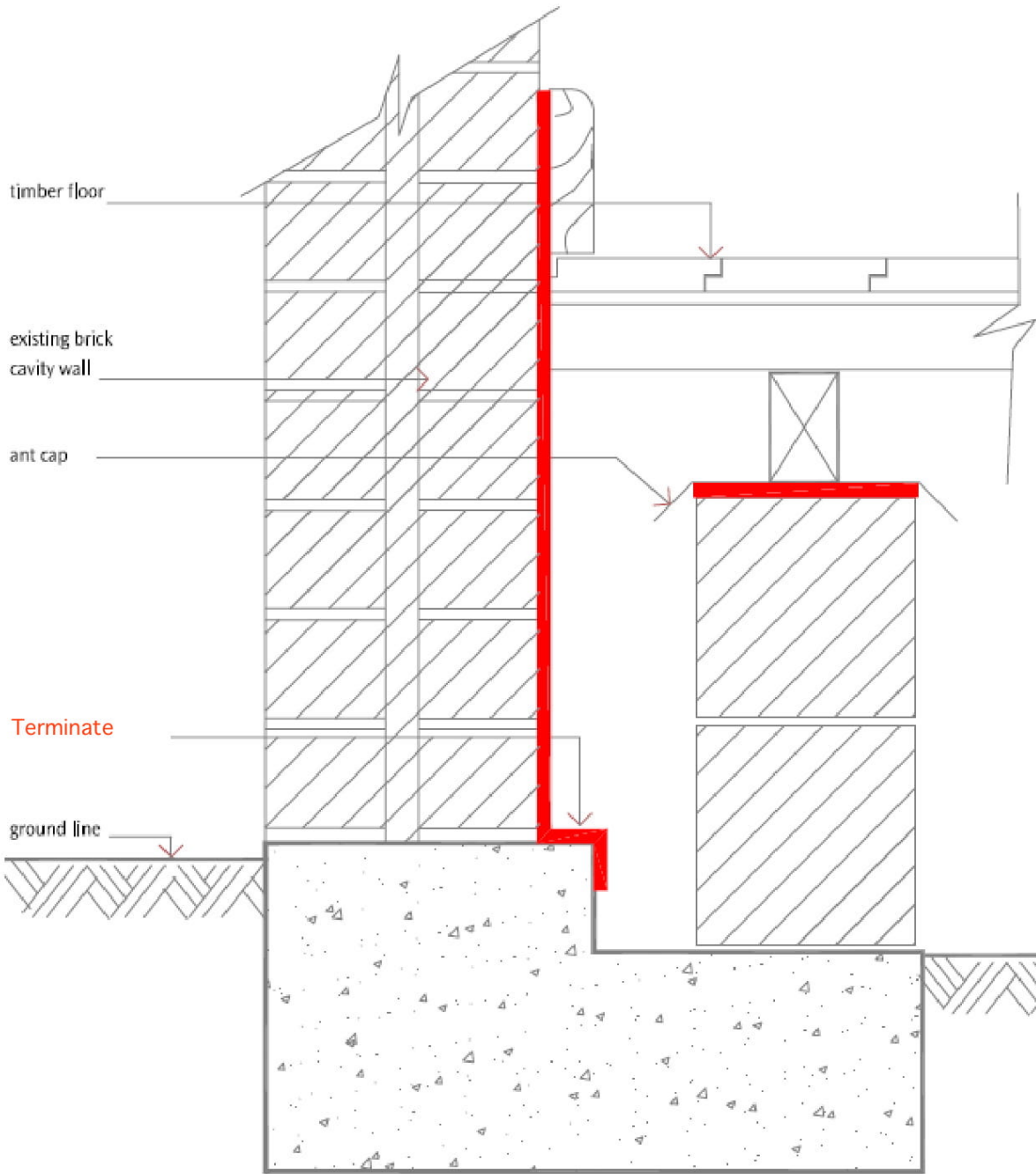
Sheet No.

**11**

Subject:

**Renovation detail 1**

---



---

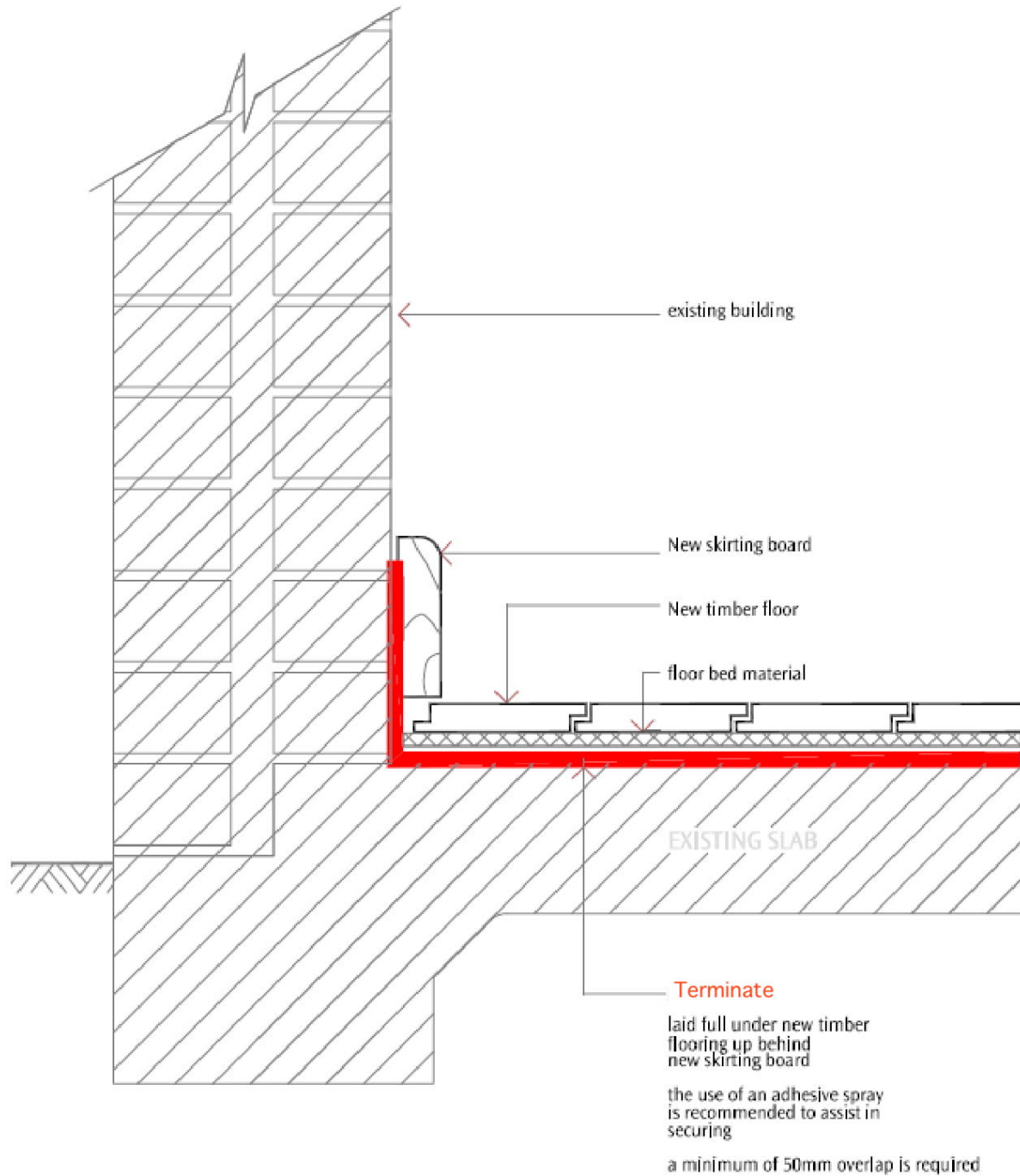
# TERMINATE Protego

Sheet No.

11A

Subject:  
**Renovation detail 2**

---




---

## TERMINATE Protego

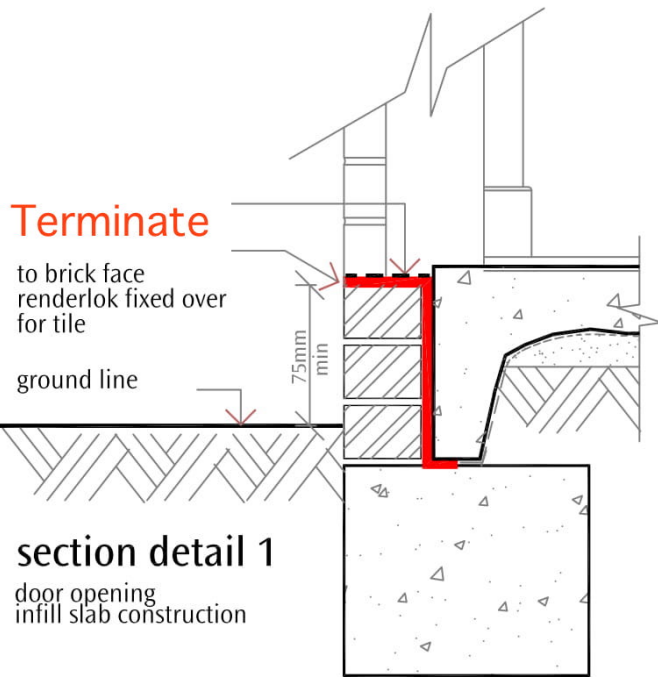
Sheet No.

**11B**

Subject:

**Renovation detail 4**

---



**Terminate**

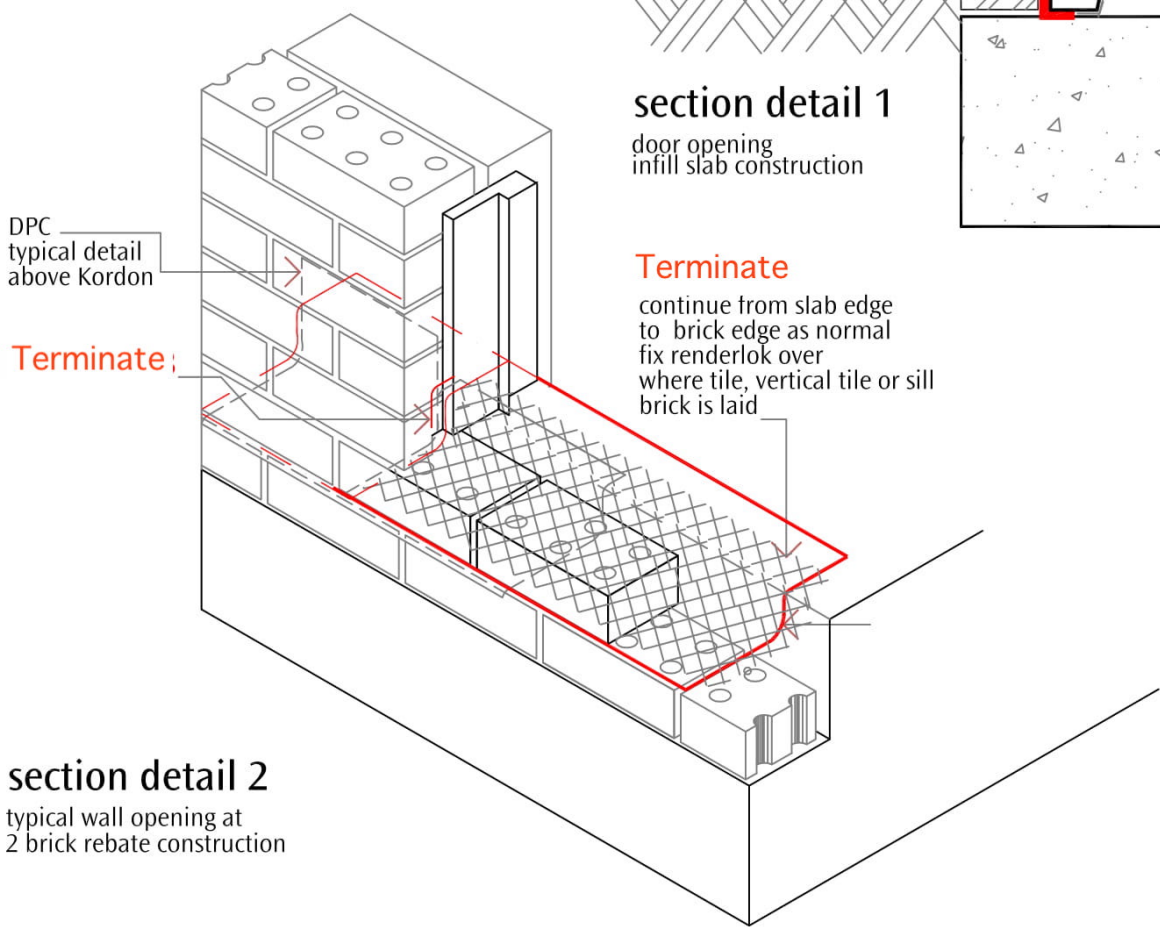
to brick face  
renderlok fixed over  
for tile

ground line

75mm  
min

**section detail 1**

door opening  
infill slab construction



DPC  
typical detail  
above Kordon

**Terminate;**

**Terminate**

continue from slab edge  
to brick edge as normal  
fix renderlok over  
where tile, vertical tile or sill  
brick is laid

**section detail 2**

typical wall opening at  
2 brick rebate construction

# TERMINATE Protego

Subject

door / sill - detail 1

Sheet No.

**12**



1.

🏠 incorrect



4.

🏠



2.



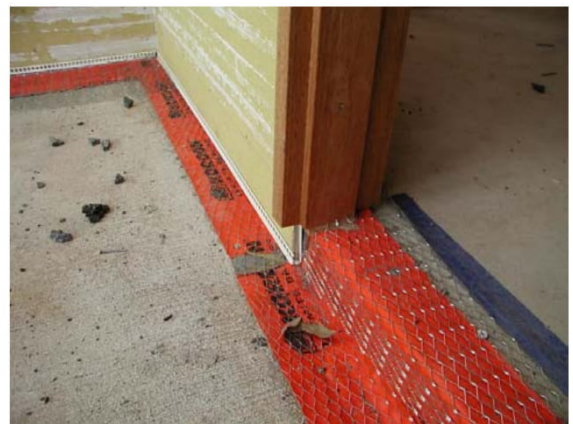
5.

🏠 renderlok secured to masonry with approved concrete nails. - (15mm length preferred)



3.

🏠 close up of 5.



6.

🏠 renderlok secured to horizontal & vertical to accommodate tiling specification

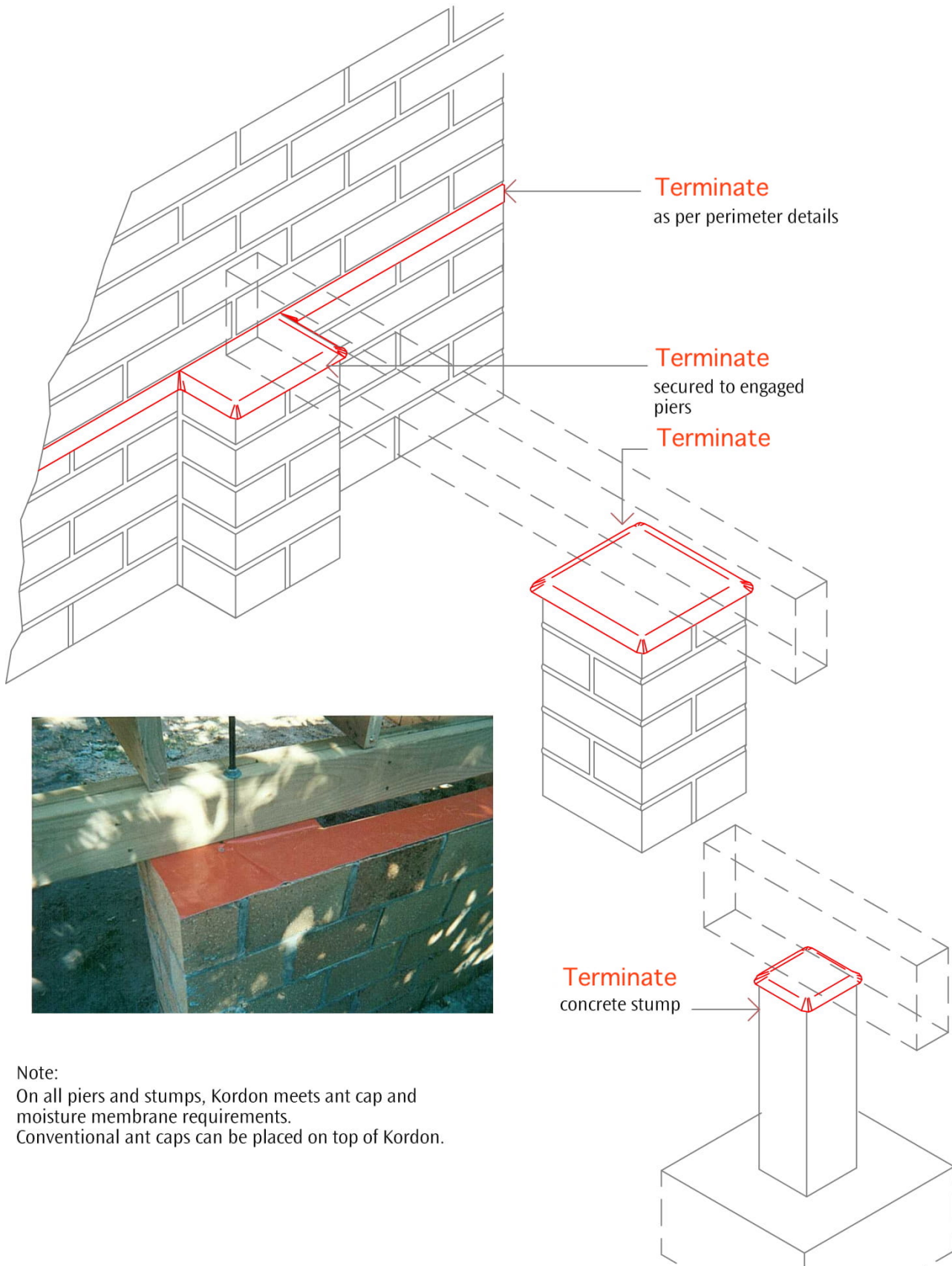
# TERMINATE Protego

Subject

sill tile details

Sheet No.

12A



Note:  
 On all piers and stumps, Kordon meets ant cap and moisture membrane requirements.  
 Conventional ant caps can be placed on top of Kordon.

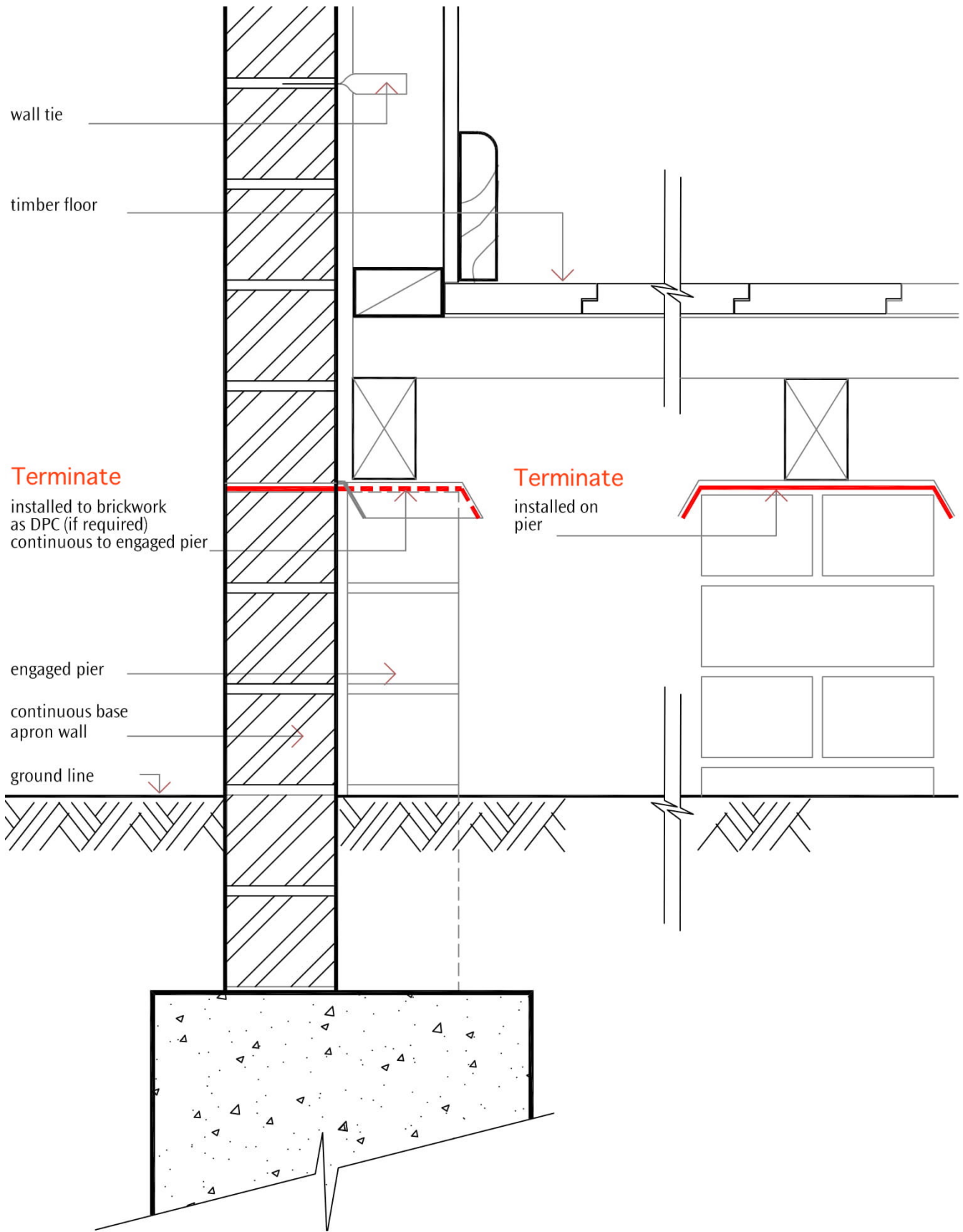
# TERMINATE Protego

Subject

bearers & joist

Sheet No.

13



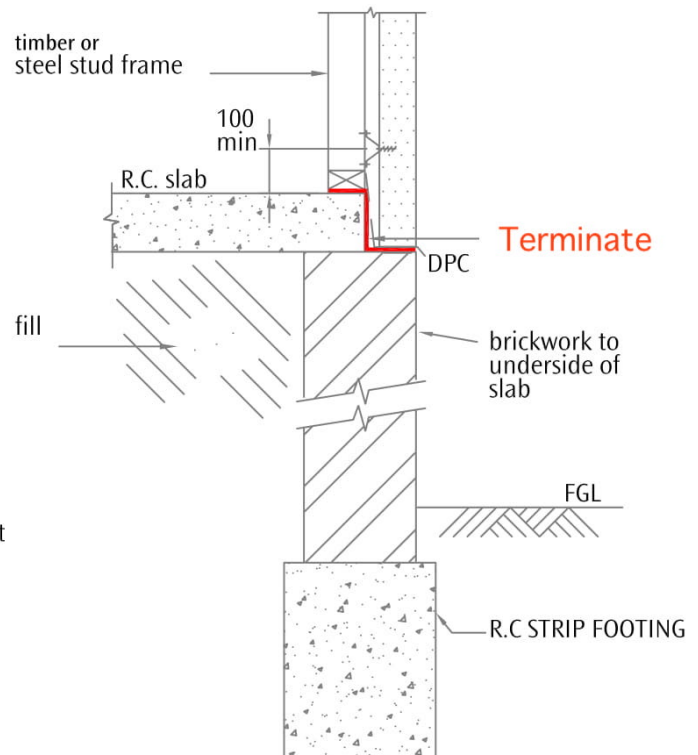
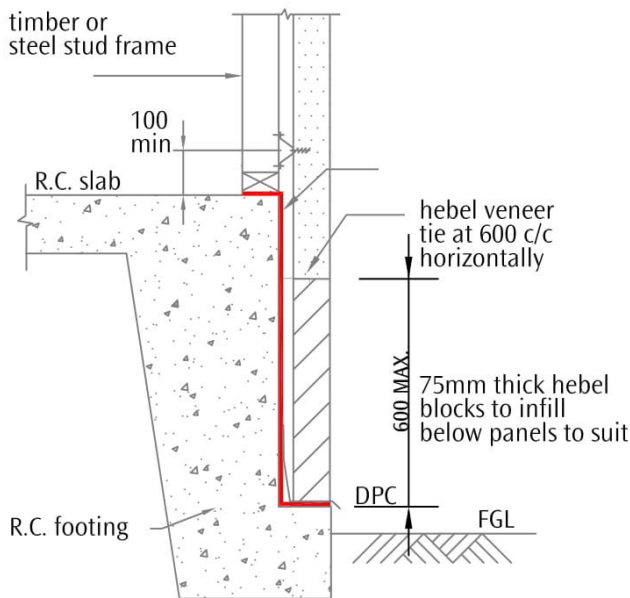
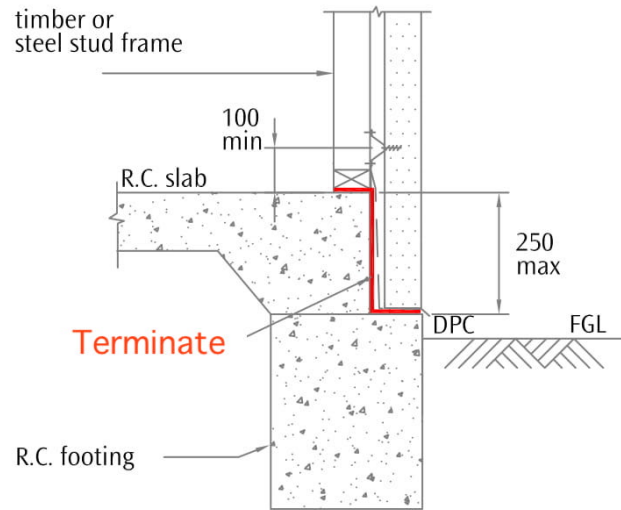
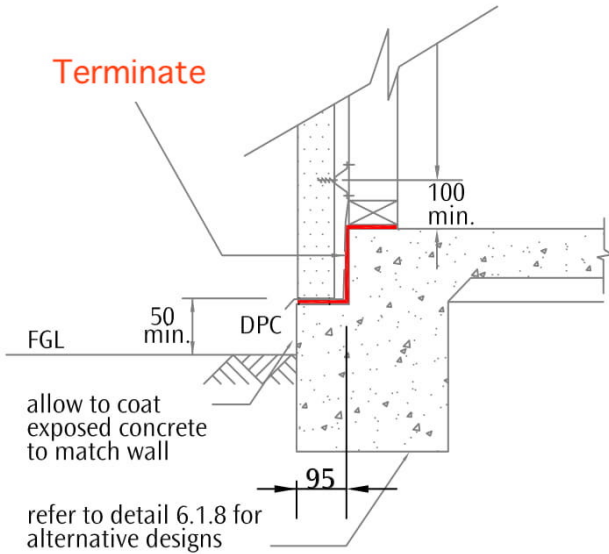
# TERMINATE Protego

Subject

brick veneer - bearers & joist

Sheet No.

13A



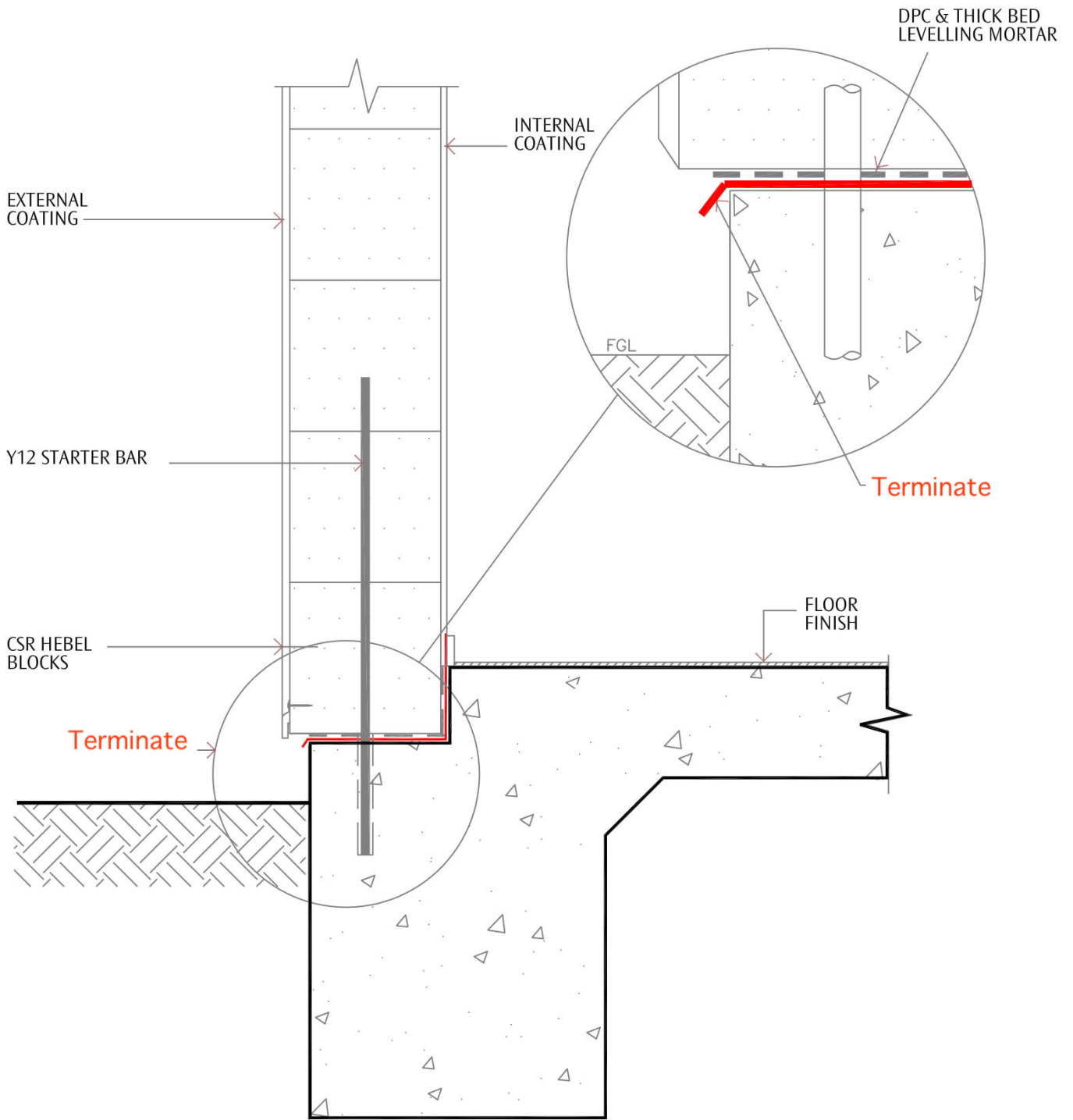
# TERMINATE Protego

Subject

hebel

Sheet No.

14



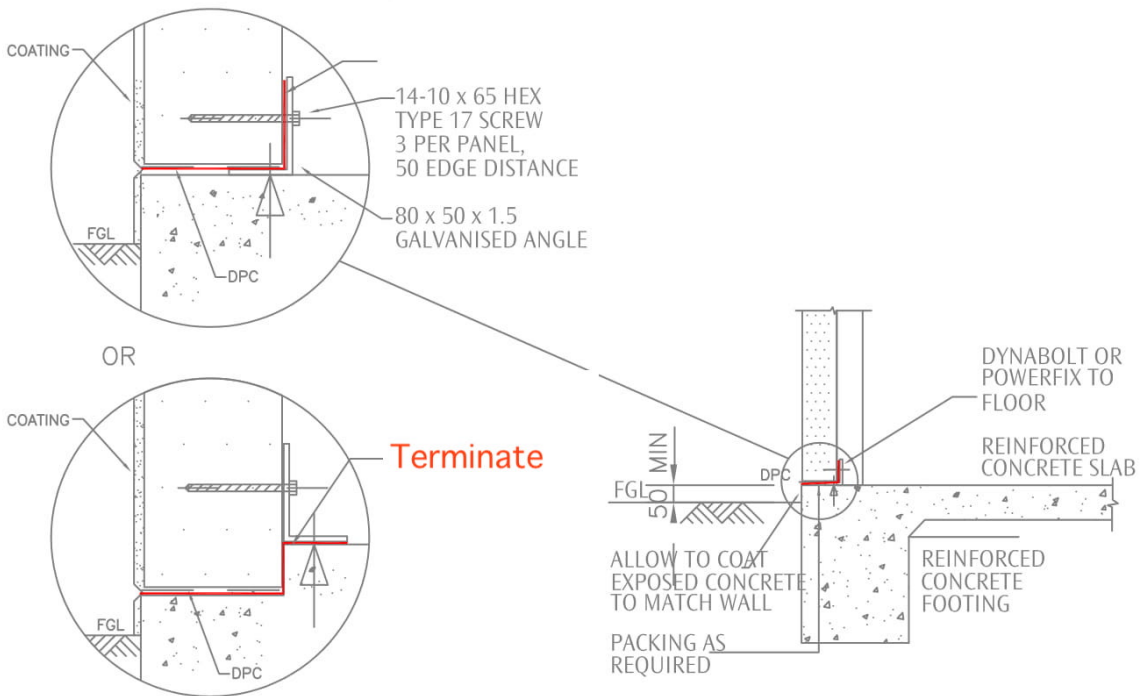
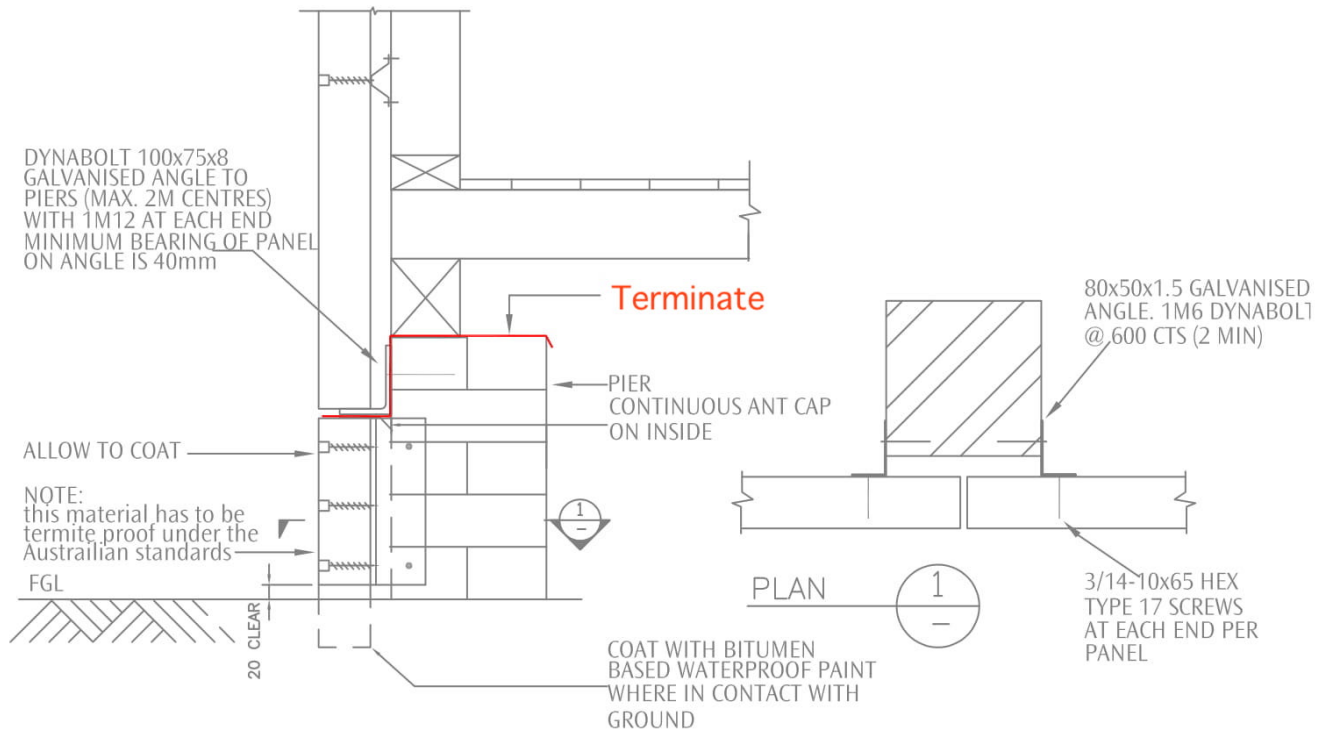
# TERMINATE Protego

Subject

hebel

Sheet No.

14A



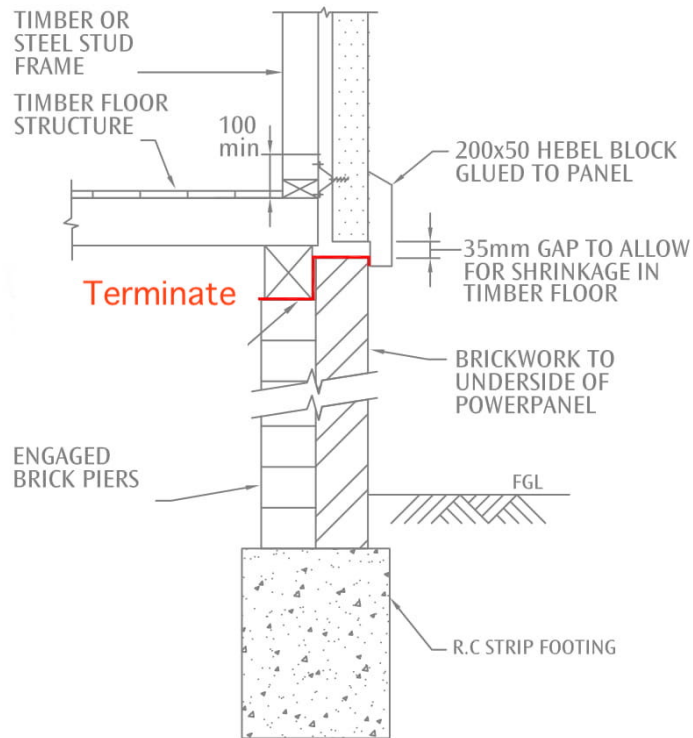
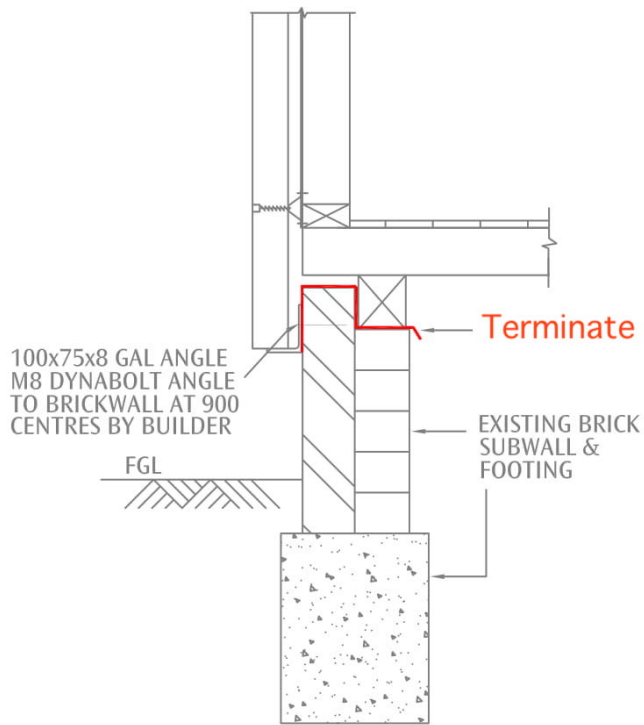
# TERMINATE Protego

Subject

hebel

Sheet No.

14B



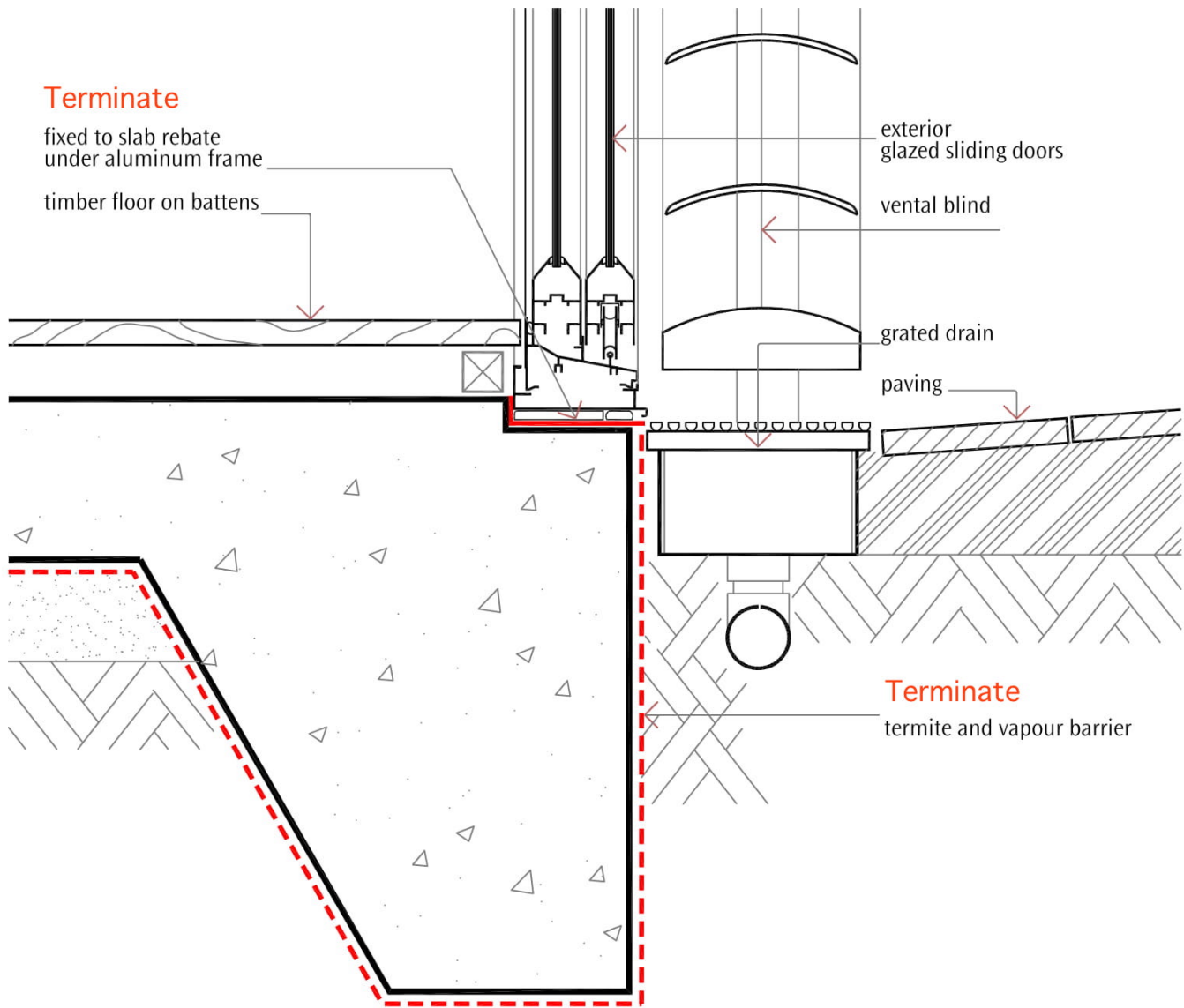
# TERMINATE Protego

Subject

hebel

Sheet No.

14C



**NOTE:**  
 The above detail must be installed inconjunction with the completed

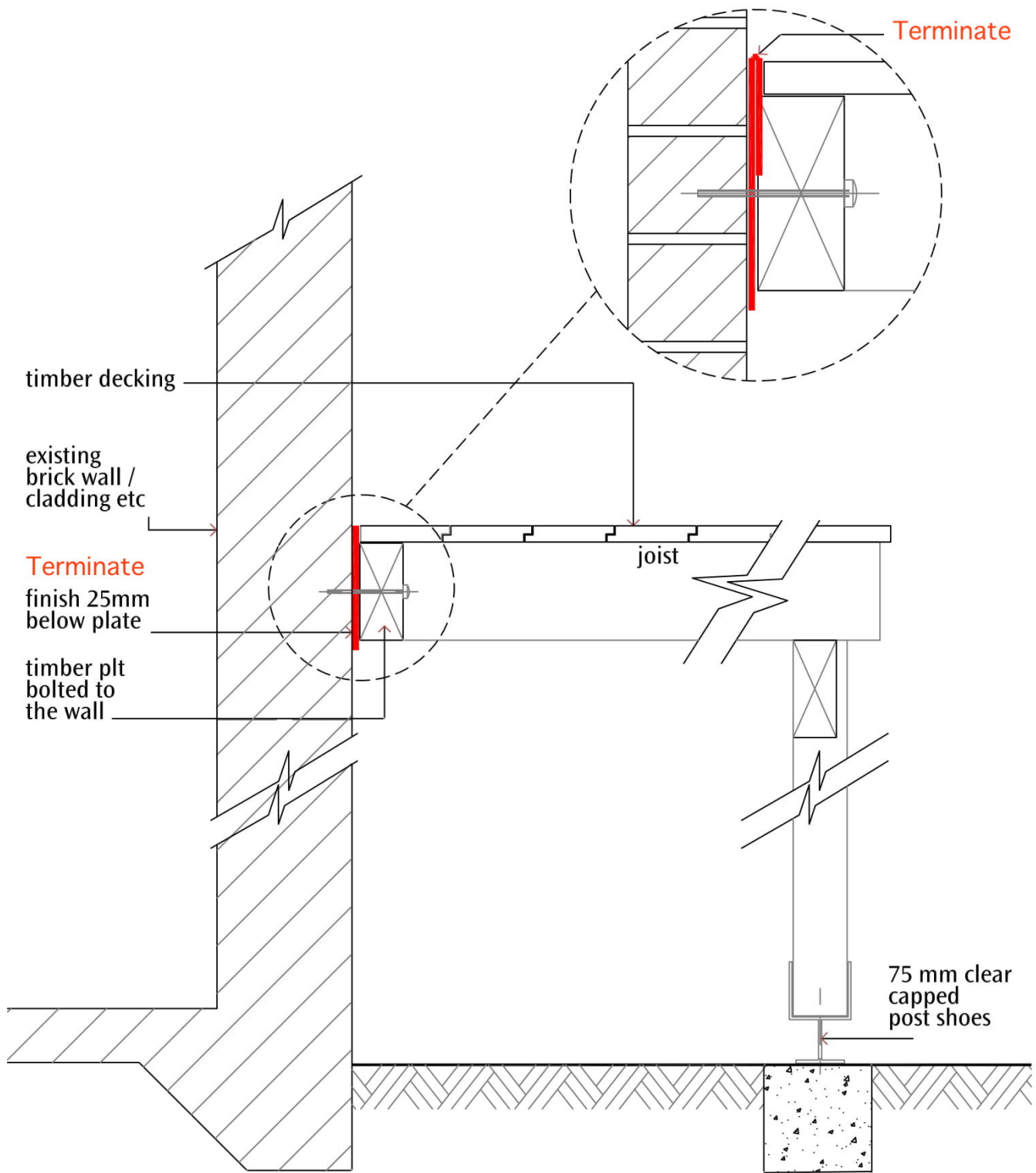
# TERMINATE Protego

Subject

grated drain / slab edge

Sheet No.

15



# TERMINATE Protego

Subject

outside decking addition

Sheet No.

16